

TOTO®

CT 705L 1.6 GPF Flushometer Toilet, (17 1/2" Rim Height)



CT 705L - Flushometer Toilet - ADA Compliant
SC534 - Commercial Toilet Seat
TMT1HNC - 32 - Manual Toilet Flushometer Valve

- 18" high bowl
- Low consumption 1.6 gallon flush
- Elongated front, siphon jet flush action
- Powerful and quiet flush
- **CT705L (18" rim height)**
Vitreous china low consumption elongated front rim, siphon jet flush action, floor mounted toilet, complete. Includes 1 1/2" top spud and 2 bolt caps, less seat. ADA compliant.
10"-12" rough-in.

□ **SS114**
SoftClose: Seat and lid gently close with a touch of a hand. Elongated, closed front seat with lid.

□ **SC134**
Elongated, open front seat with cover.

□ **SC534**
Elongated, open front seat less cover.

Colors:

Standard #01 Cotton

Optional See price book for additional colors

*Recommended flushometer valve:
TOTO Manual and Electronic Flush Valves
are highly recommended for maximum
performance.*



CT 705L

1.6 GPF Flushometer Toilet, (ADA Compliant)

■ PERFORMANCE

The TOTO 1.6 Gpf ADA flushometer toilet received high ratings during ANSI/ASME testing at independent test laboratories. Designed with a powerful siphon jet flushing action, the bowl offers a large 12" x 10" water surface.

■ SPECIFICATIONS

Water Use: 1.6 Gpf/6.0 Lpf
 Flush System: Siphon jet flushing action
 Min. Water Pressure: 15 psi flowing
 Water Surface: 10-1/4" x 9-1/4"
 Trap Diameter: 1-7/8"
 Rough-in: 10"– 12" rough-in
 Trap Seal: 2-3/8"
 Warranty: One Year Limited Warranty
 Material: Vitreous china one piece design

Shipping Weight: **CT705L–Bowl**
 57 lbs.

Shipping Dimensions: **CT705L–Bowl**
 26"L x 9-7/8"W¹ x 15-3/4"W²
 x 20-1/4"H

Fixture dimensions and hydraulic performance meet or exceed ANSI/ASME standard A112.19.2M and CAN/CSA B 45 requirements.

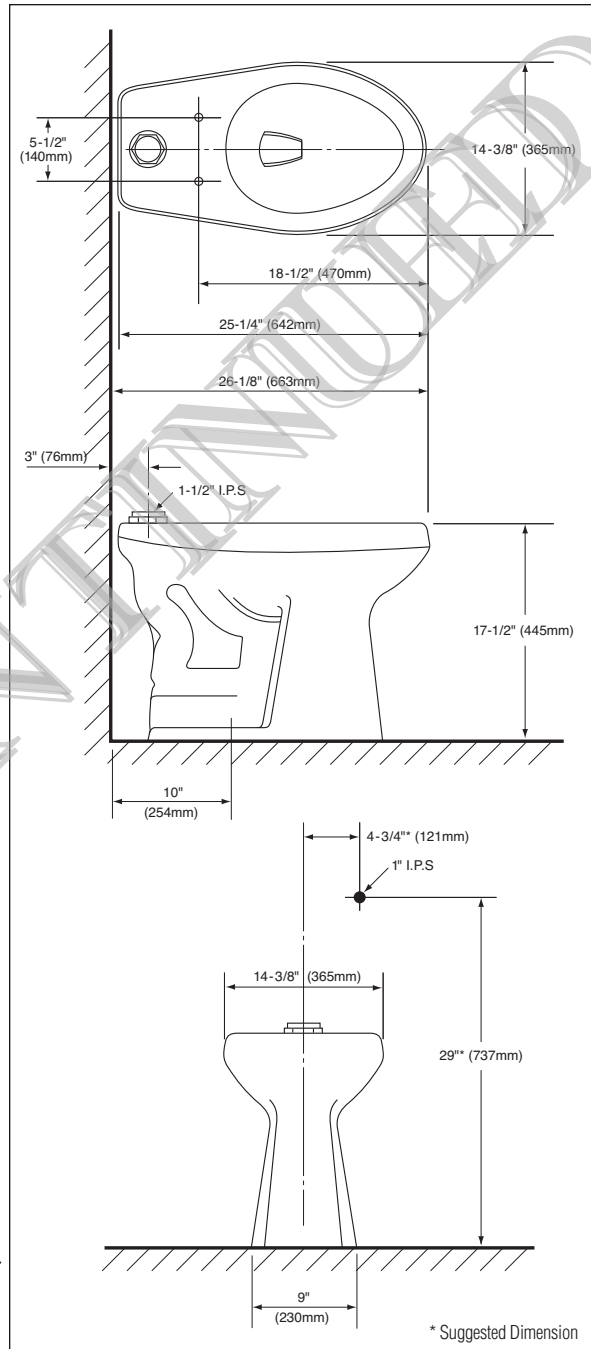
Listing / Approvals: IAPMO/UPC, CSA, City of Los Angeles, State of Massachusetts, and others.



Meets the American Disabilities Act Guidelines and ANSI A117.1 requirements where installed so top of seat is 17" from the finished floor. Recommended seat for ADA requirements: TOTO model #SC504 and #SC514.

Note: Refer to manufacturer's instructions and local codes for proper flush valve installation and requirements.

These dimensions and specifications are subject to change without notice.



CT 705L

TOTO[®]

TOTO U.S.A., INC. • 1155 Southern Road, Morrow, GA 30260
 Tel. (770) 282-8686 • Fax. (770) 282-8701 • www.totousa.com
 Printed in U.S.A. © TOTO LTD. 5/01

Printed on recycled paper

REV 06/08