

Wall-Mounted, Bedpan Flushometer Toilet, 1.6GPF

FEATURES

- Wall-mounted
- Elongated front bowl
- Bed pan lugs

MODELS

- CT708H#01
Commercial wall-mounted toilet with 1-1/2' top spud inlet, less seat
- SC534 seat (sold separately)
- SC134 seat (sold separately)

EXPOSED FLUSHOMETER VALVES (sold separately)	
Manual	EcoPower®
TMT1NNC-32#CP	TET1GNC-32#CP
	TET6GMC-32#CP



COLORS/FINISHES

- Standard
#01 Cotton

PRODUCT SPECIFICATION

The wall-mounted, low consumption siphon jet flushing system toilet shall be 1.6GPF/6.0LPF when paired with a 1.6GPF flushometer valve. Toilet can be mounted at ADA height. Toilet shall be elongated front bowl and bedpan lugs. Toilet shall be TOTO model CT708H#01.

CODES/STANDARDS

- Meets and exceeds ASME A112.19.2/CSA B45.1
- Certifications: IAPMO (cUPC), State of Massachusetts, City of Los Angeles, and others
- Code compliance: UPC, IPC, NSPC, NPC Canada, and others
- ADA Compliant



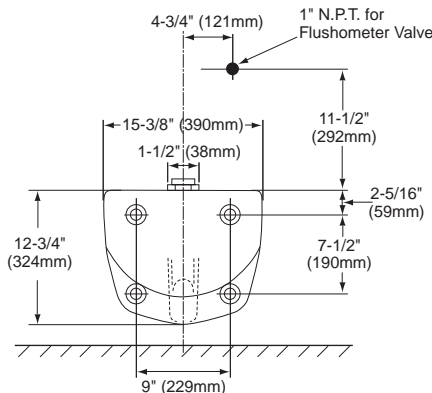
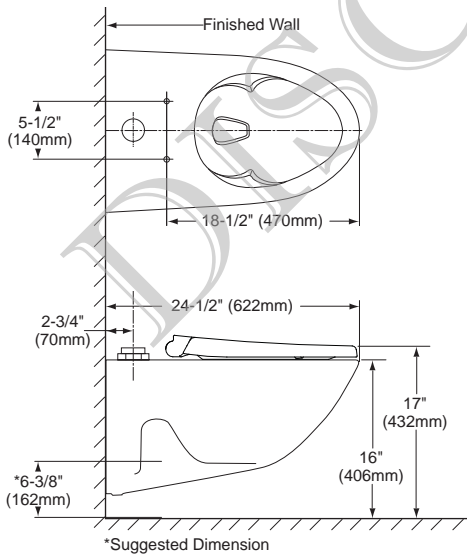
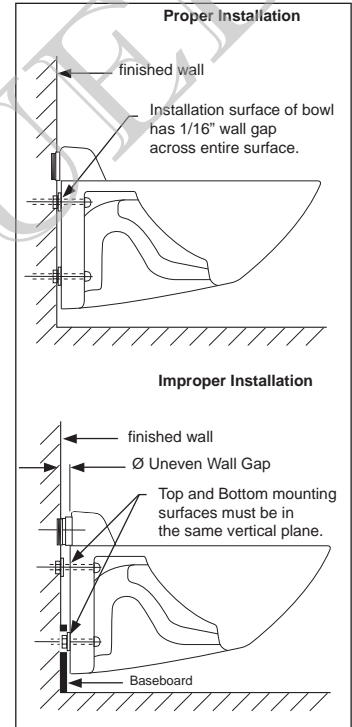
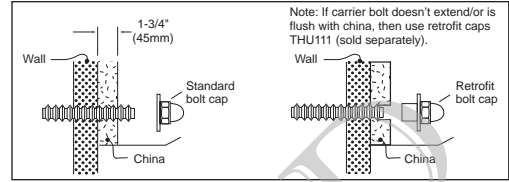
CT708H

Wall-Mounted Flushometer Bedpan Toilet, 1.6GPF

SPECIFICATIONS

- Water Use 1.6GPF/6.0LPF
- Flush System Siphon jet flushing action
- Min. Water Pressure 20 psi (static)
- Water Surface 12" x 9-1/4"
- Trap Diameter 2-1/8"
- Trap Seal 2-5/8"
- Warranty One Year Limited Warranty
- Material Vitreous china
- Shipping Weight CT708H - 49lbs
- Shipping Dimensions CT708H
16" L x 15-1/2" W x 26" H

INSTALLATION NOTES



TOTO

These dimensions and specifications are subject to change without notice