

Trilogy® High-Efficiency Showerhead, 1.75 gpm

FEATURES

- Rubber nozzles to prevent limescale build up
- Showerarm included
- Water saving 1.75 gpm

COLORS/FINISHES

- #CP Polished Chrome



CODES/STANDARDS

- Meets or exceeds ASME A112.18.1/CSA B125.1
- Certifications: IAPMO(cUPC), State of Massachusetts, City of Los Angeles, and others
- Code Compliance: UPC, IPC, NSPC, NPC Canada, and others



PRODUCT SPECIFICATION

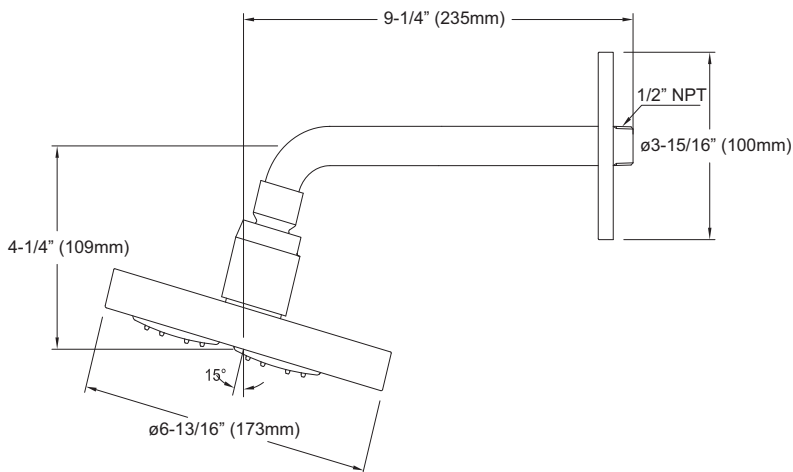
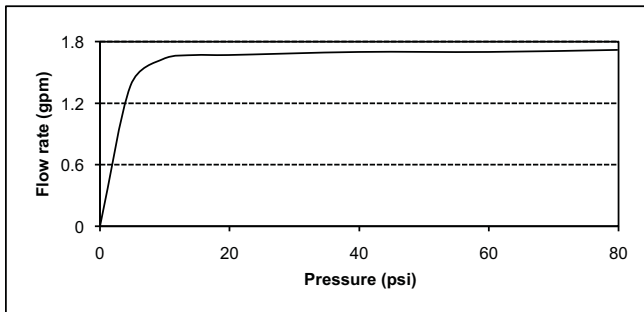
The showerhead with arm shall feature single spray with full coverage. Showerhead shall have rubber nozzles to prevent limescale build up. Showerhead shall have a flow rate of 1.75 gallons per minute. Showerhead shall be TOTO Model TS100AL_____.

TS100AL

Trilogy® High-Efficiency Showerhead, 1.75 gpm

SPECIFICATIONS

- Warranty: Lifetime Limited Warranty (Residential Use)
One Year (Commercial Use)
- Shipping Weight: 8.0 lbs.
- Shipping Dimensions: 13-3/4" L x 8-1/2" W x 5-1/2" H
- Maximum Flow Rate: 1.75 gpm (6.6 lpm)



TOTO®

These dimensions and specifications are subject to change without notice