

TOTO®

CST474CEF(G)

Vespin® II Close Coupled High-Efficiency Toilet, 1.28GPF

FEATURES

- Double Cyclone® flushing system, low consumption (1.28GPF/4.8LPF)
- Skirted design
- SanaGloss® ceramic glaze - prevents debris and mold from sticking to ceramic surfaces, leading to fewer chemicals and less water in cleaning (not avail on Ebony #51)
- Universal Height
- Decorative two-piece design with high-profile tank
- Elongated front bowl and tank set, less seat
- Chrome trip lever
- 12" Uni-Fit® Rough-in (included), less supply

MODELS

- CST474CEFG
With SanaGloss ceramic glaze
- CST474CEF
Less SanaGloss ceramic glaze (#51 only)

COMPONENTS

- C474CEFG Elongated bowl with SanaGloss
- C474CEF Elongated bowl, less SanaGloss
- ST454E Tank and cover only
- ST454ER Tank and cover only - right-hand trip lever
- SS224 SoftClose® seat (sold separately)
- SS214 SoftClose® seat (sold separately)
- SS204 SoftClose® seat (sold separately)
- SS114 SoftClose® seat (sold separately)
- SS154 SoftClose® seat (sold separately)
- TSU01W.10 10" rough-in (sold separately)
- TSU01W.14 14" rough-in (sold separately)

COLORS/FINISHES

- #01 Cotton
- #03 Bone
- #11 Colonial White
- #12 Sedona Beige
- #51 Ebony (not available in SanaGloss)

PRODUCT SPECIFICATION

The Two-piece high-efficiency Double Cyclone flushing system toilet shall be 1.28GPF/4.8LPF. Toilet shall have optional SanaGloss ceramic glaze and be at Universal Height. Toilet shall have high-profile tank, elongated front bowl and Chrome trip lever. Toilet shall be TOTO Model CST474CEF_____.



SanaGloss

CYCLONE®
FLUSHING SYSTEM BY TOTO

CODES/STANDARDS

- Meets or exceeds ASME A112.19.2/CSA B45.1
- Certifications: IAPMO(cUPC), EPA Watersense, State of Massachusetts, City of Los Angeles, and others
- Code compliance: UPC, IPC, NSPC, NPC Canada, and others
- Legislative Compliance: California AB715, California Green Building Code, City of Los Angeles Water Efficiency Ordinance
- ADA compliant (when installed with trip lever located on the approach side)



CST474CEF(G)

Vespin® II Close Coupled High-Efficiency Toilet, 1.28GPF

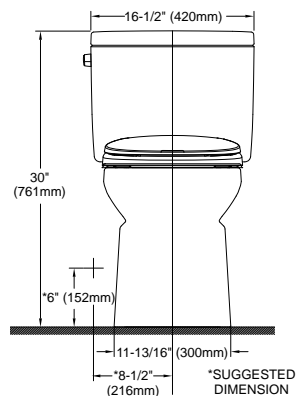
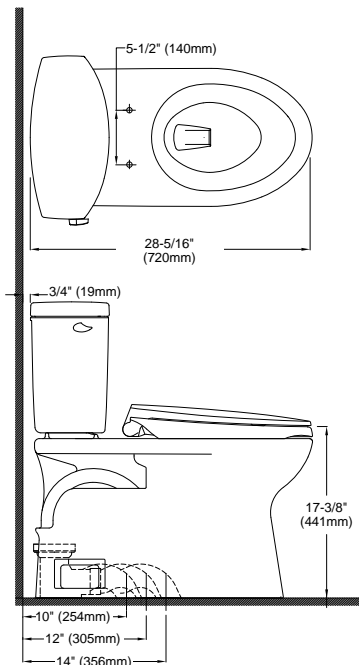
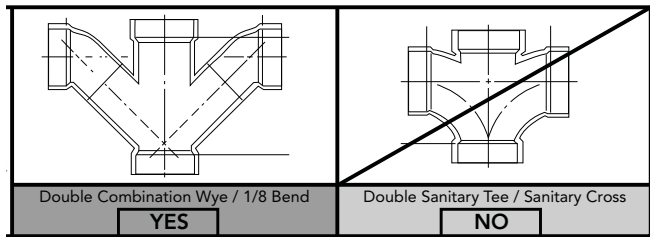
SPECIFICATIONS

- Water Use 1.28 GPF/4.8LPF
- Flush System Double Cyclone
- Min. Water Pressure 8 psi (flowing)
- Water Surface 6-7/8" x 9-3/4"
- Trap Diameter 2-1/8"
- Rough-in 12" (10" or 14" optional)
- Trap Seal 2-1/8"
- Warranty One Year Limited Warranty
- Material Vitreous china
- Shipping Weight CT474CEF(G) 75lbs.
ST454E(R) 31.5lbs.
- Shipping Dimensions CT474CEF(G)
30-1/8" L x 16-3/4" W x 22" H

ST454E(R)
18" L X 9" W X 16" H

INSTALLATION NOTES

Back-to-Back Toilet Installations:
TOTO recommends the use of a nationally listed, double sanitary tee-wye only, in vertical waste stacks, in accordance with the stipulations noted in the majority of nationally recognized plumbing codes.



These dimensions and specifications are subject to change without notice