

TSPV - Pressure Balancing Valve

- Brass valve body
- Pressure balancing anti-scald valve
- Adjustable temperature limit stop to control hot water temperature
- Integral diverter and shut-off / check valve
- NPT or solder connections
  
- **TSPV**  
Pressure Balancing Valve with diverter.
- **TSPT**  
Pressure Balancing Valve without diverter.

# TSPV / TSPT Pressure Balancing Valve

## DESIGN

Designed to work with all of TOTO's® shower trim designs, this pressure balance valve is designed with an anti-scald & temperature limit switch.

## SPECIFICATIONS

Warranty: Lifetime Limited Warranty  
(Residential use)  
One Year (Commercial use)

Material: Brass

Shipping Weight: TSPV  
**Individual** 6.4 lbs.  
**Case (Qty 6)** 38.4 lbs.

Shipping Weight: TSPT  
**Individual** 5.4 lbs.  
**Case (Qty 6)** 32.4 lbs.

Shipping Dimensions:  
**Individual**  
 9"L x 7-1/2"W x 8-1/2"H

**Case (Qty 6)**  
 15-1/2"L x 9-3/4"W x 26"H

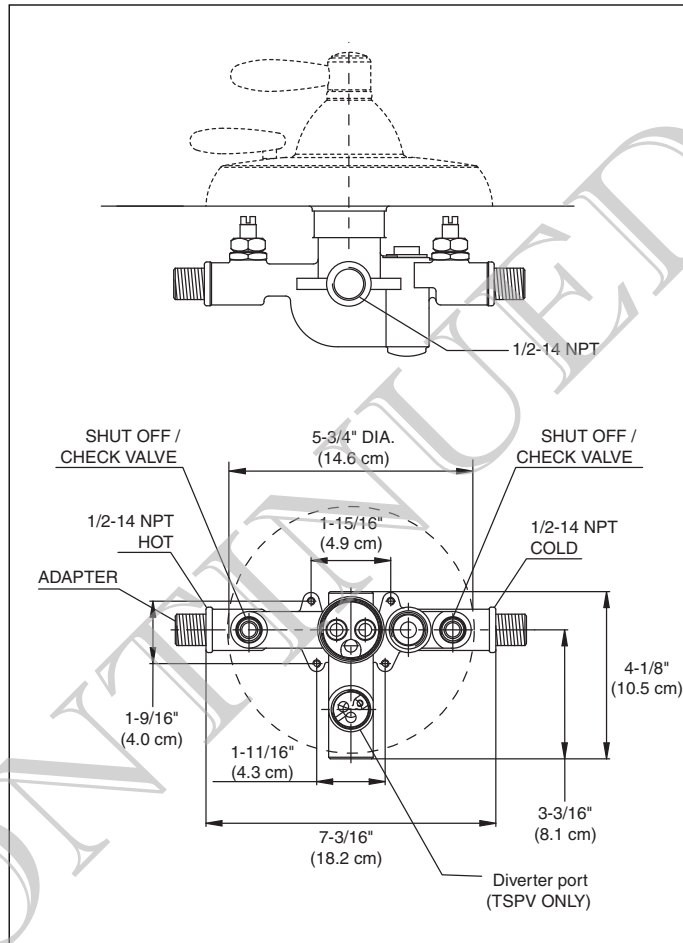
## CODES/STANDARDS

Complies with and exceeds the following standards:

ASSE 1016  
 ASME A112.18.1M

Listed by:  
 IAPMO/UPC, CSA, and other municipalities

These dimensions and specifications are subject to change without notice.



TSPV / TSPT - Pressure Balancing Valve

**TOTO®**

TOTO® U.S.A., INC. • 1155 Southern Road, Morrow, GA 30260  
 Tel. (888) 295-8134 • Fax. (770) 282-8701 • www.totousa.com  
 Printed in U.S.A. © TOTO® LTD. 06/05 #J20060

Printed on recycled paper