

# TOTO®

# MS654204MF

## Aquia® One-Piece High-Efficiency Toilet, 1.6GPF & 0.9GPF

### FEATURES

- Dual-Max® flushing system, low consumption (1.6GPF/6.0LPF & 0.9GPF/3.4LPF)
- Elongated skirt
- Universal Height
- One-piece elongated toilet with SS204 seat
- Dual flush option
- Chrome push-button
- 12" rough-in

### MODELS

- MS654204MF - Elongated One-Piece Toilet with SS204 SoftClose® seat

### COLORS/FINISHES

- Standard
  - #01 Cotton
  - #03 Bone
  - #11 Colonial White
  - #12 Sedona Beige
  - #51 Ebony

### PRODUCT SPECIFICATION

The one-piece, universal height, low consumption dual-max flushing system toilet shall be 1.6GPF/0.9GPF. Toilet shall have high-profile tank, elongated front bowl and chrome push-button. Toilet shall be TOTO Model MS654204MF\_\_\_\_\_.



**DUAMAX®**  
FLUSHING SYSTEM BY TOTO

### CODES/STANDARDS

- Meets and exceeds ASME A112.19.2/CSA B45.1, ASME A112.19.14
- Certifications: IAPMO(cUPC®), EPA WaterSense<sup>sm</sup>, State of Massachusetts, and others
- Code compliance: UPC, IPC, NSPC, NPC Canada, and others
- Legislative compliance: California Green Building Code, City of Los Angeles Water Efficiency Ordinance, and others



# MS654204MF

## Aquia® One-Piece High-Efficiency Toilet, 1.6GPF & 0.9 GPF

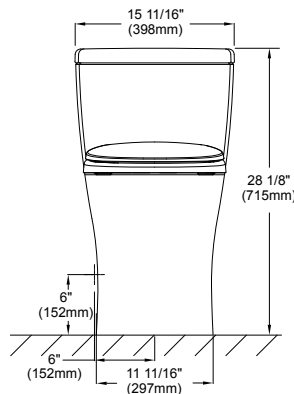
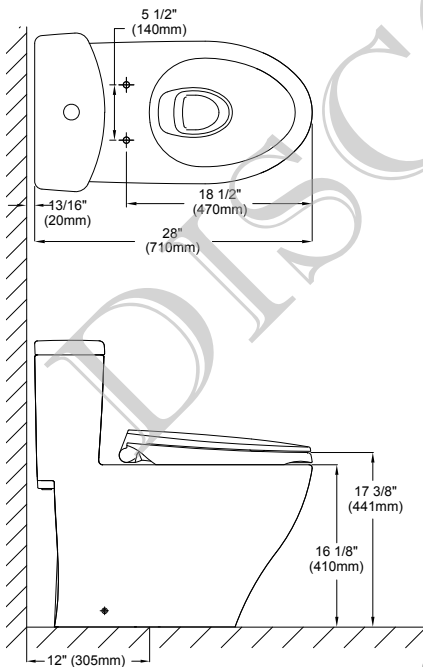
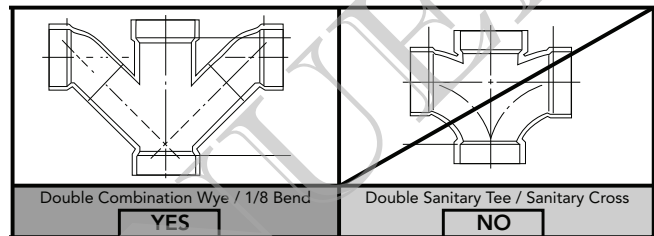
### SPECIFICATIONS

- Water Use 1.6 GPF & 0.9GPF (6.0 LPF & 3.4LPF)
- Flush System Dual-Max
- Min. Water Pressure 8 psi (flowing)
- Water Surface 5-1/4" x 4-1/4"
- Trap Diameter 1-3/4"
- Rough-in 12"
- Trap Seal 2-1/4"
- Warranty One Year Limited Warranty
- Material Vitreous china
- Shipping Weight MS654204MF - 112lbs
- Shipping Dimensions MS654204MF  
32" L x 19-7/8" W  
x 29-1/4" H

### INSTALLATION NOTES

#### Back-to-Back Toilet Installations:

TOTO recommends the use of a nationally listed, double sanitary tee-wye only, in vertical waste stacks, in accordance with the stipulations noted in the majority of nationally recognized plumbing codes.



**TOTO®**

*These dimensions and specifications are subject to change without notice*