

Aquia® Deck-Mount Tub Filler Trim

FEATURES

- Lever handle
- Solid brass construction
- Ceramic disk valve cartridge
- Accommodates 9" -16" spread
- For use with Deck-Mount Tub Filler Valve (TB6TR)

COLORS/FINISHES

- #CP Polished Chrome
- #BN Brushed Nickel
- #PN Polished Nickel



CODES/STANDARDS

- Meets or exceeds ASME A112.18.1/CSA B125.1
- Certifications: IAPMO(cUPC), State of Massachusetts and others
- Code Compliance: UPC, IPC, NSPC, NPC Canada, and others
- ADA compliant*



PRODUCT SPECIFICATION

The Deck-Mount tub filler shall have a lever handle. Product shall have a solid brass construction. Product shall have a ceramic disk valve cartridge. Product shall accommodate 9" -16" spread. Product shall be TOTO Model TB416DD# ____ and required deck-mount tub filler valve shall be TB6TR sold separately.

**Note: Check with local municipalities as some areas may require longer lever-handle lengths for ADA requirements*

TB416DD

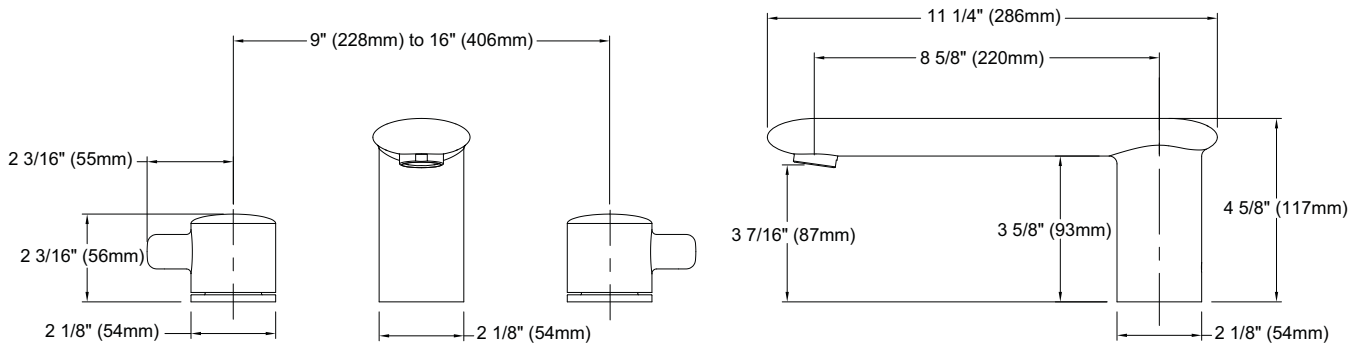
Aquia® Deck-Mount Tub Filler Trim

SPECIFICATIONS

- Warranty Lifetime Limited Warranty (Residential Use)
One Year (Commercial Use)
- Material Brass
- Shipping Weight 7.9 lbs.
- Shipping Dimensions 21" L x 10" W x 3-1/2" H

INSTALLATION NOTES

VALVE REQUIRED:
Deck-Mount tub filler valve, model TB6TR sold separately.



IMPORTANT NOTE: This valve/trim can only be installed in a built-up deck. It cannot be installed on pre-finished deck or on tub rim.

TOTO®

These dimensions and specifications are subject to change without notice