

# TOTO®

# TS300AL51 & TS300AL61

## Traditional Collection Series A Single-Spray Showerhead

### FEATURES

- WaterSense certified low-flow 2.0 gpm
- Single-spray showerhead
- Rubber nozzles to prevent limescale build up
- G 1/2" connection

### MODELS

- TS300AL51  
4-1/2" showerhead  
4" diameter spray face
- TS300AL61  
5-1/2" showerhead  
5" diameter spray face

### COLORS/FINISHES

- #CP Polished Chrome
- #BN Brushed Nickel
- #PN Polished Nickel
- #RB Oil Rubbed Bronze

### CODES/STANDARDS

- Meets or exceeds ASME A112.18.1/CSA B125.1
- Certifications: IAPMO(cUPC), EPA WaterSense, State of Massachusetts and others
- Code Compliance: UPC, IPC, NSPC, NPC Canada, and others



### PRODUCT SPECIFICATION

The single-spray showerhead shall have a maximum flow rate of 2.0 gpm (7.6 lpm). TS300AL51 shall have a 4-1/2" showerhead and a 4" diameter spray face. TS300AL61 shall have a 5-1/2" showerhead and a 5" diameter spray face. Product shall have a single spray. Product shall have rubber nozzles to prevent limescale build up. Product shall be TOTO Model TS300AL\_\_\_\_ #\_\_\_\_.



TS300AL51: Traditional Collection Series A Single-Spray Showerhead 4-1/2"



TS300AL61: Traditional Collection Series A Single-Spray Showerhead 5-1/2"

Please note the following component is sold separately:



TS300N6: Shower Arm 6"

# TS300AL51 & TS300AL61

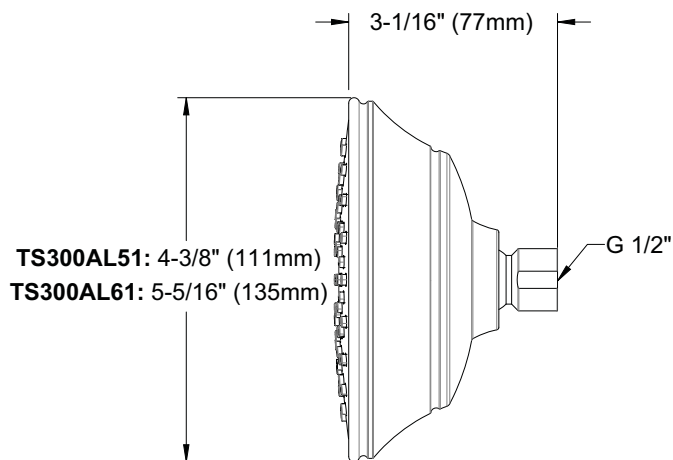
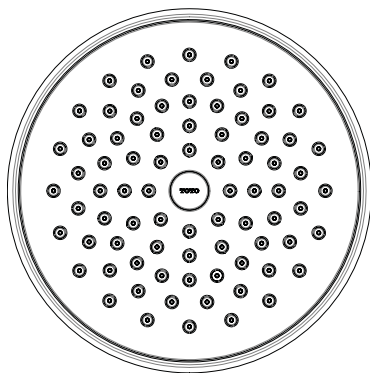
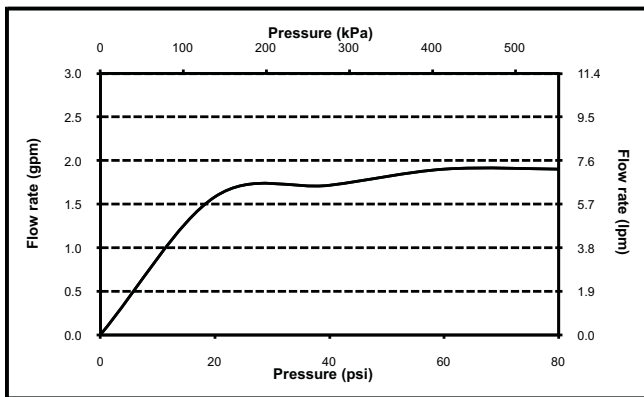
## Traditional Collection Series A Single-Spray Showerhead

### SPECIFICATIONS

- Warranty Lifetime Limited Warranty (Residential Use)  
One Year (Commercial Use)
- Material Brass / Plastics
- Shipping Weight TS300AL51: 0.9 lbs.  
TS300AL61: 1.0 lbs.
- Shipping Dimensions TS300AL51 & TS300AL61:  
3-1/2" L x 5-3/4" W x 6-3/4" H
- Maximum Flow Rate 2.0 gpm (7.6 lpm)

### INSTALLATION NOTES

OPTIONAL SHOWERHEAD COMPONENT  
TS300N6: Shower Arm 6" sold separately.



**TOTO®**

*These dimensions and specifications are subject to change without notice*