

TOTO®

TS300AL55 & TS300AL65

Traditional Collection Series A Multi-Spray Showerhead

FEATURES

- WaterSense certified low-flow 2.0 gpm
- Multifunction showerhead with 5 spray modes
 - Spray
 - Spray & Massage Combo
 - Massage
 - Mist
 - Pause
- Rubber nozzles to prevent limescale build up
- G 1/2" connection

MODELS

- TS300AL55
4-1/2" showerhead
4" diameter spray face
- TS300AL65
5-1/2" showerhead
5" diameter spray face

COLORS/FINISHES

- #CP Polished Chrome
- #BN Brushed Nickel
- #PN Polished Nickel
- #RB Oil Rubbed Bronze

CODES/STANDARDS

- Meets or exceeds ASME A112.18.1/CSA B125.1
- Certifications: IAPMO(cUPC), EPA WaterSense, State of Massachusetts and others
- Code Compliance: UPC, IPC, NSPC, NPC Canada, and others



PRODUCT SPECIFICATION

The multi-spray showerhead shall have a maximum flow rate of 2.0 gpm (7.6 lpm). TS300AL55 shall have a 4-1/2" showerhead and a 4" diameter spray face. TS300AL65 shall have a 5-1/2" showerhead and a 5" diameter spray face. Product shall have 5 multifunction spray modes. Spray modes shall be spray, spray and massage combo, massage, mist and pause. Product shall have rubber nozzles to prevent limescale build up. Product shall be TOTO Model TS300AL____ #____.



TS300AL55: Traditional Collection Series A Multi-Spray Showerhead 4-1/2"



TS300AL65: Traditional Collection Series A Multi-Spray Showerhead 5-1/2"

Please note the following component is sold separately:



TS300N6: Shower Arm 6"

TS300AL55 & TS300AL65

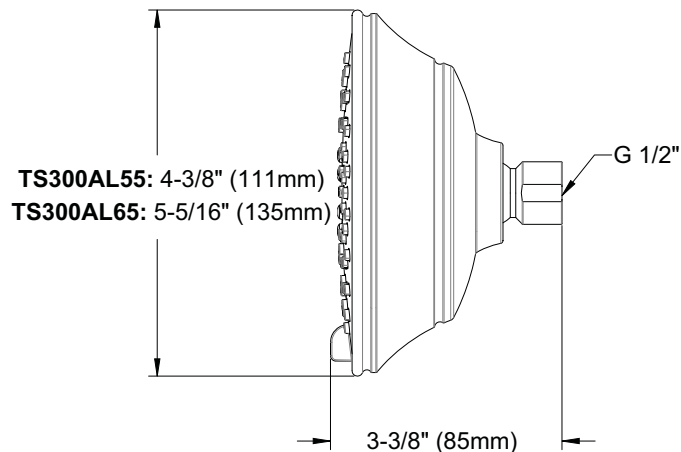
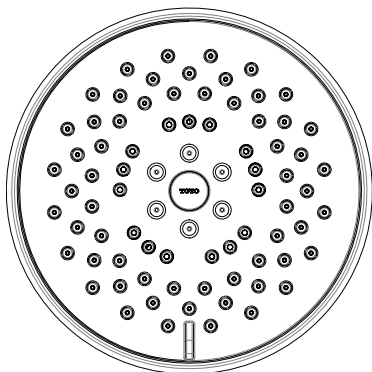
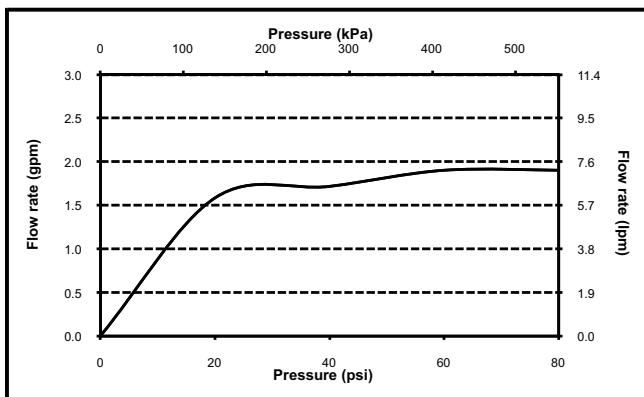
Traditional Collection Series A Multi-Spray Showerhead

SPECIFICATIONS

- Warranty: Lifetime Limited Warranty (Residential Use)
One Year (Commercial Use)
- Material: Brass / Plastics
- Shipping Weight: TS300AL55: 0.9 lbs.
TS300AL65: 1.1 lbs.
- Shipping Dimensions: TS300AL55 & TS300AL65:
3-1/2" L x 5-3/4" W x 6-3/4" H
- Maximum Flow Rate: 2.0 gpm (7.6 lpm)

INSTALLATION NOTES

OPTIONAL SHOWERHEAD COMPONENT:
TS300N6: Shower Arm 6" sold separately.



TOTO

These dimensions and specifications are subject to change without notice