

TOTO®

TS300FL41 & TS300FL51

Traditional Collection Series A Single-Spray Handshower

FEATURES

- WaterSense certified low-flow 2.0 gpm
- Single-spray handshower
- Rubber nozzles to prevent limescale build up
- G 1/2" connection

MODELS

- TS300FL41
3-1/2" handshower
3" diameter spray face
- TS300FL51
4-1/2" handshower
4" diameter spray face

COLORS/FINISHES

- #CP Polished Chrome
- #BN Brushed Nickel
- #PN Polished Nickel
- #RB Oil Rubbed Bronze

CODES/STANDARDS

- Meets or exceeds ASME A112.18.1/CSA B125.1
- Certifications: IAPMO(cUPC), EPA WaterSense, State of Massachusetts and others
- Code Compliance: UPC, IPC, NSPC, NPC Canada, and others



PRODUCT SPECIFICATION

The single-spray handshower shall have a maximum flow rate of 2.0 gpm (7.6 lpm). TS300FL41 shall have a 3-1/2" handshower and a 3" diameter spray face. TS300FL51 shall have a 4-1/2" handshower and a 4" diameter spray face. Product shall have a single spray. Product shall have rubber nozzles to prevent limescale build up. Product shall be TOTO Model TS300FL____ # ____.



TS300FL41: Traditional Collection Series A Single-Spray Handshower 3-1/2"



TS300FL51: Traditional Collection Series A Single-Spray Handshower 4-1/2"

Please note the following components are sold separately:



TS101R
Wall Outlet



TS101S
Shower Arm Mount



TS101V
Handshower Wall-Mount



TS101W60
Shower Hose 60"

TS300FL41 & TS300FL51

Traditional Collection Series A Single-spray Handshower

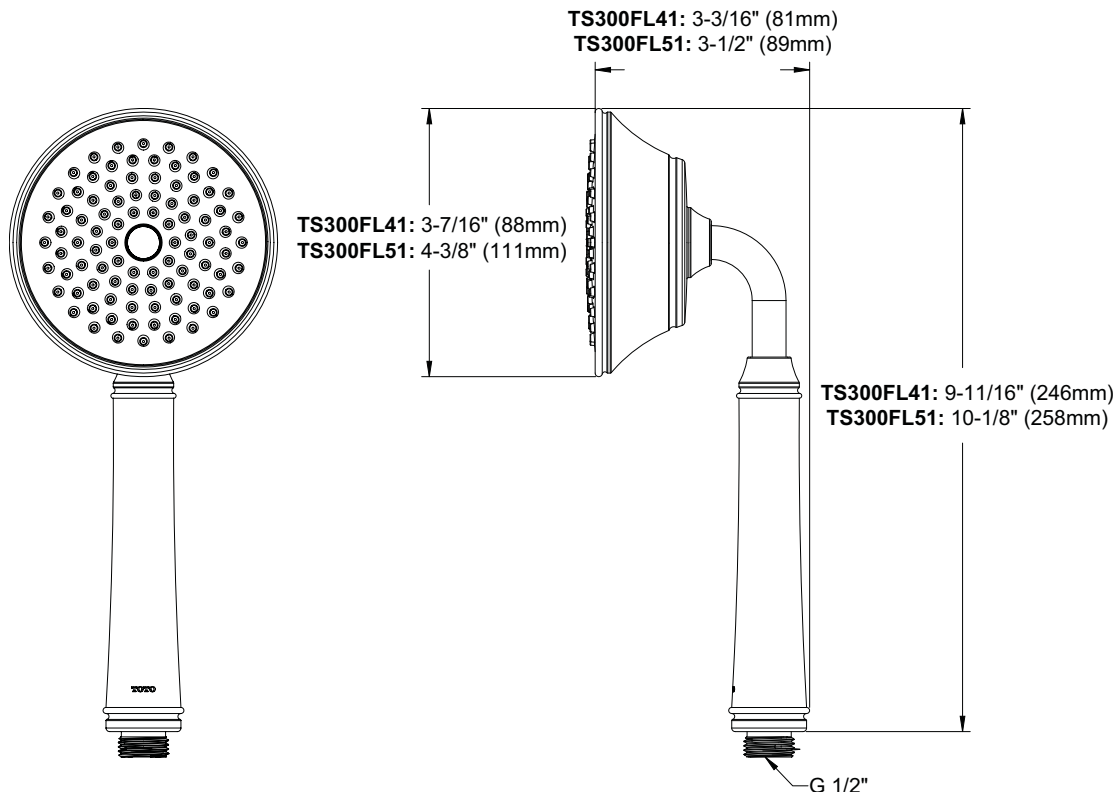
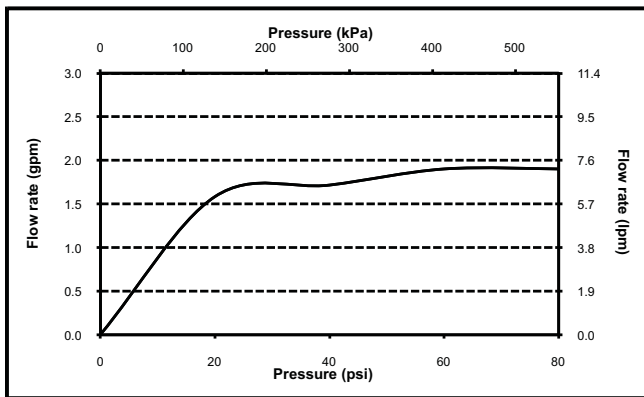
SPECIFICATIONS

- Warranty: Lifetime Limited Warranty (Residential Use)
One Year (Commercial Use)
- Material: Plastics
- Shipping Weight: TS300FL41: 1.1 lbs.
TS300FL51: 1.2 lbs.
- Shipping Dimensions: TS300FL41 & TS300FL51:
4" L x 4-1/4" W x 11-1/4" H
- Maximum Flow Rate: 2.0 gpm (7.6 lpm)

INSTALLATION NOTES

OPTIONAL HANDSHOWER COMPONENTS:

- TS101R: Wall Outlet
- TS101S: Shower arm mount
- TS101V: Handshower Wall-mount
- TS101W60: Shower Hose 60"



TOTO®

These dimensions and specifications are subject to change without notice