


TOTO®

Connection Unit for Water Supply

The installation of the toilet bowl for the NEOREST® 550 differs from installation of conventional toilet bowls. Be sure to read the following installation instructions and install the product only as described in this manual.


1 Always Follow This Precaution

Before installing the NEOREST 550, be sure to read the safety instructions in "Always Follow This Precaution" and install the product only as described in the instructions. Precautionary symbols are used in these instructions to ensure safe and proper installation of the product and to prevent injury to the end-user and damage to personal property. The definitions of these precautionary symbols are as follows.

Symbol	Definition
 WARNING	When this symbol appears, precaution should be taken to ensure proper and safe use of the product. Ignoring this precaution could result in injury or damage to personal property.


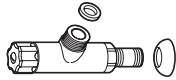

There are two types of precautionary symbols. The symbols and definitions appear below.

	This symbol indicates a prohibited use of the product.		This symbol means "Always Follow This Precaution".
--	--	---	--

 WARNING	
	Avoid direct impact to the ceramic components as this will break the ceramic and could result in injury or property damage due to water leakage.
	Always use the provided or designated parts for the installation process.

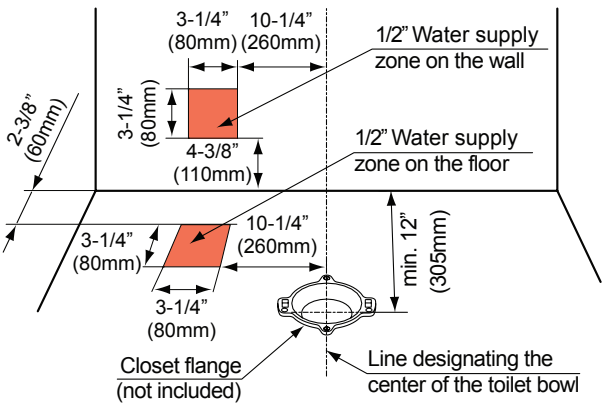
2 Parts Included in the Installation Kit

*Before installation, confirm that the parts listed below are included in the kit.

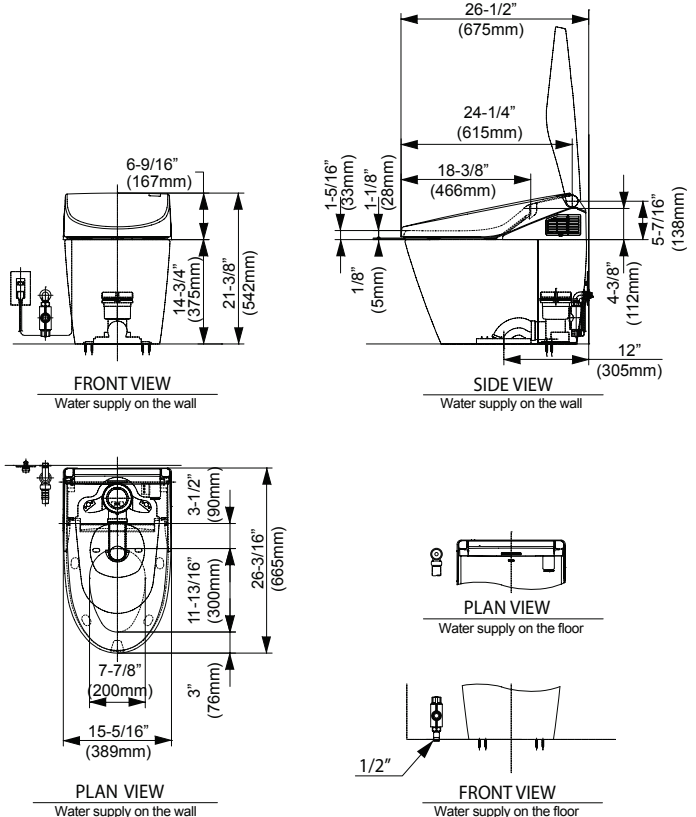
Part Name	Quantity	Drawing	Remarks
Side panel (left)	1		Cut-away type, with Velcro tape
Water Supply Connectors			
Water shutoff valve (plated)	1		With gasket
Water supply hose	1		

3 Before Installing the NEOREST® 550

Confirm that the position of the drain hole and pipes are properly lined up as designated in the drawing.



Product Diagram



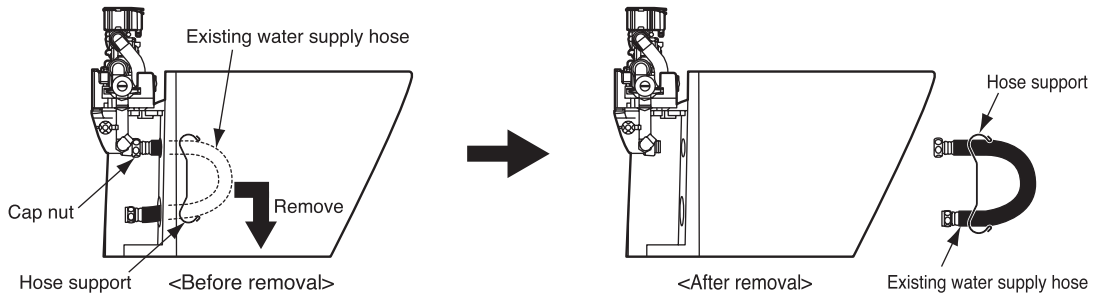
4 Installation basics

*For more detailed bowl installation instructions, please refer to the installation instructions that are included with the NEOREST® 550.

1 Replacing the water supply hose

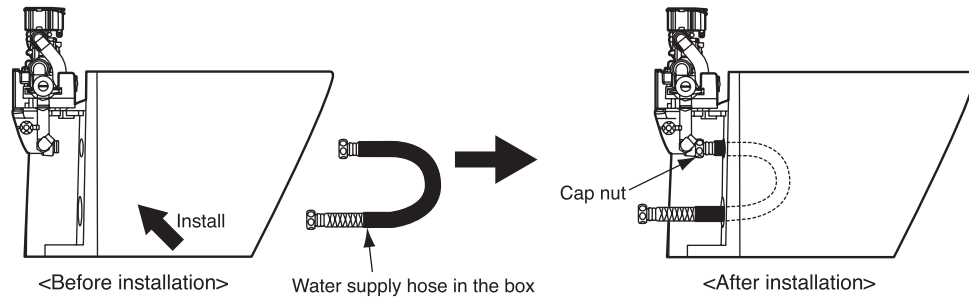
Remove the old water supply hose

Loosen the cap nut. Elevate the bowl and reach underneath to remove the existing water supply hose and hose support.



Install the new water supply hose

Elevate the bowl and reach underneath to install the water supply hose that is in the box. Tighten the cap nut.



*Hose support is not used.

Caution



Use caution while elevating the bowl. Otherwise injury may occur.

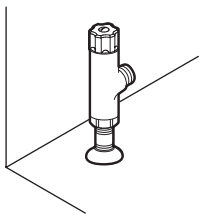


Tighten the cap nut completely, otherwise leakage may occur.

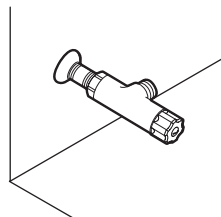
2 Installing the water shutoff valve

Install the water shutoff valve in the specified location.

Water supply on the floor



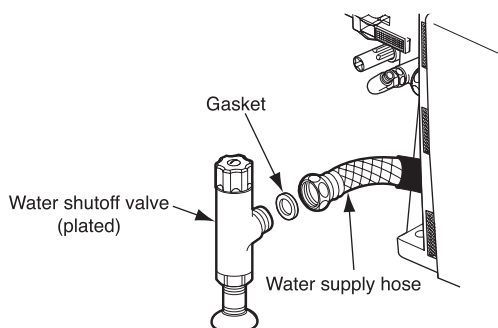
Water supply on the wall



3 Connecting the water supply hose

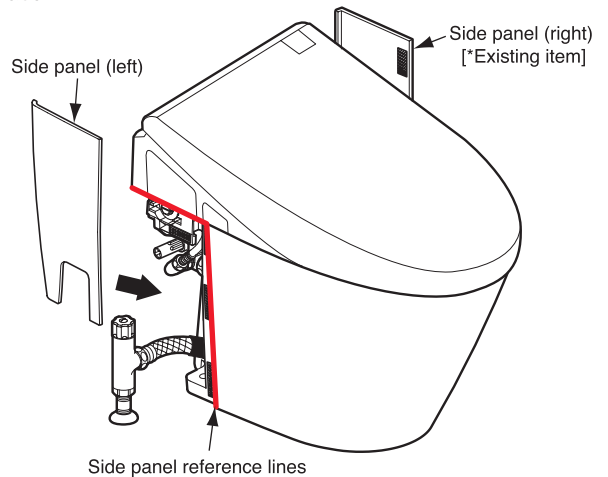
Place the gasket* inside the water supply hose cap nut and attach it to the water shutoff valve.

*Gasket included with water shutoff valve.



4 Installing the side panel

After confirming the Washlet is functioning properly, align the side panel with the reference lines (red lines) and push it into place.



5 Installation complete

