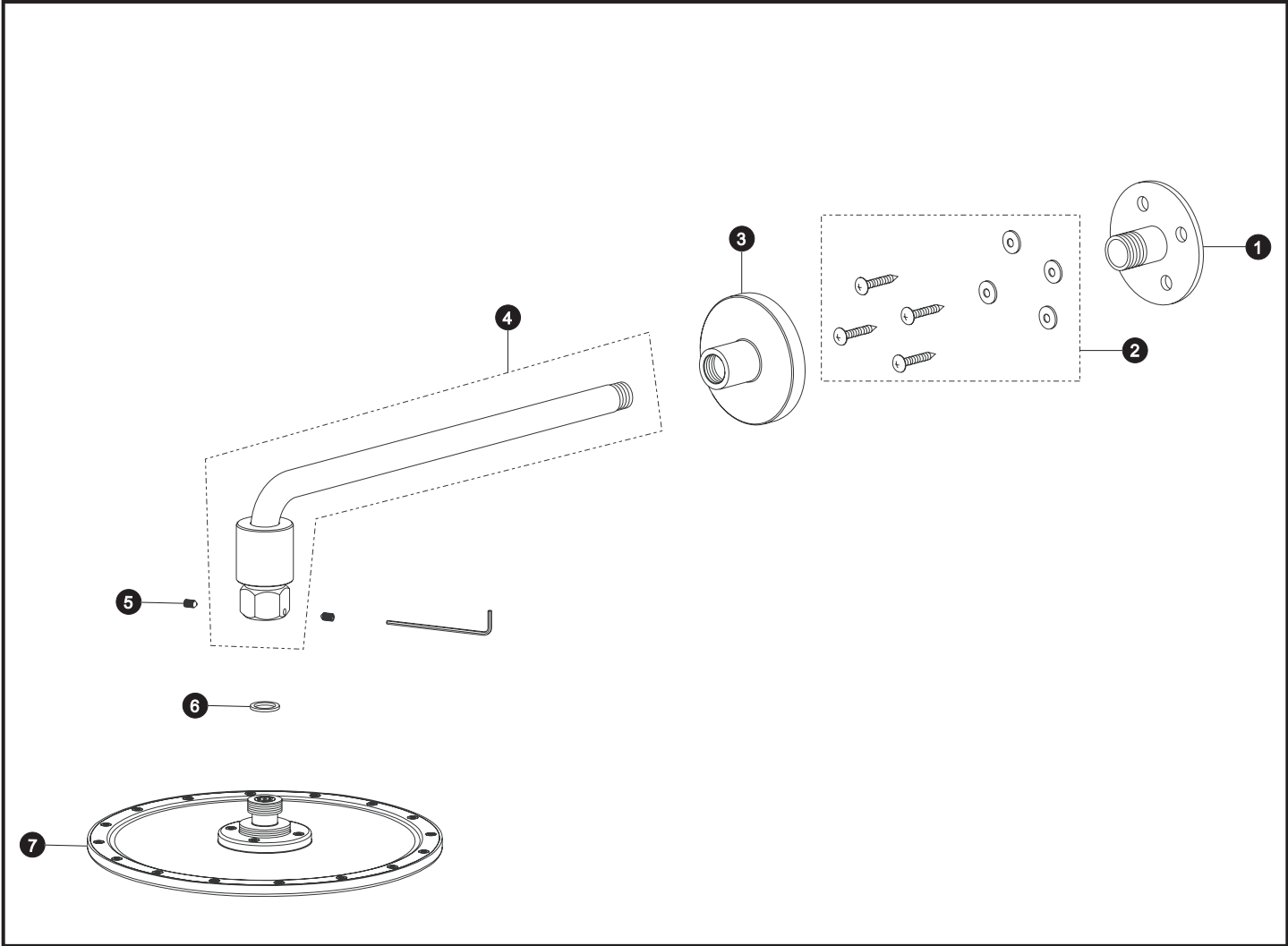


11" Rainshower Showerhead w/ Arm



| Item | Part | Description |
|------|-------------|----------------------|
| 1 | THP4081 | Mounting Plate |
| 2 | THP4082 | Screws & Washers |
| 3 | THP4083\$\$ | Mounting Plate Cover |
| 4 | THP4084\$\$ | Rainshower Arm |
| 5 | THP4085 | Set Screw |
| 6 | THP4086 | Gasket |
| 7 | THP4087 | Rainshowerhead |

| LEGEND |
|-----------------------|
| \$\$ = DENOTES FINISH |
| #CP = Polished Chrome |
| #BN = Brushed Nickel |
| #PN = Polished Nickel |