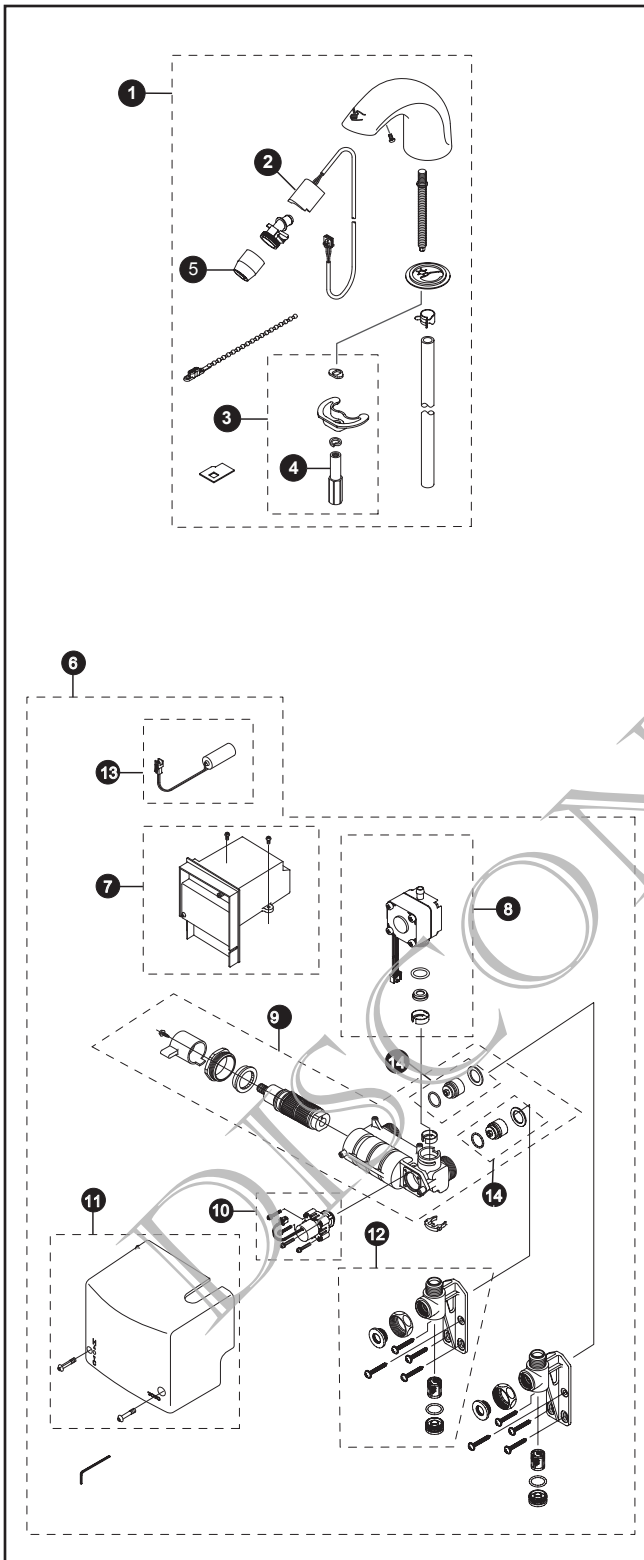


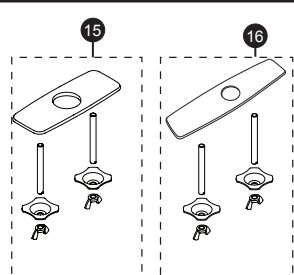
TEL5GS10/60#CP

TEL5GS10#CP
 TEL5GS60#CP
 TEIGS100#\$\$ (Spout)
 TN78-10V510 (TEL5GS10#CP Controller)
 TN78-10V560 (TEL5GS60#CP Controller)

Sensor Faucet, Standard Spout Self-Generating EcoPower® System Thermal Mixing, 1.0 GPM



| Item | Part | Description |
|------|---------------|---|
| 1 | TELGS100#\$\$ | Spout Assembly |
| 2 | TH559EDV545 | Sensor |
| 3 | TH559EDV402R | Spout Mounting Kit |
| 4 | TH559EDV403R | Spout Nut |
| 5 | TH559EDV567 | Nozzle Assembly Set (Aerator Flow Type) |
| 6 | TN78-10V510 | Controller Assembly (TEL5GS10#CP) |
| | TN78-10V560 | Controller Assembly (TEL5GS60#CP) |
| 7 | TH559EDV560 | Thermal Dynamo Control Unit 10 sec. |
| | TH559EDV467 | Thermal Dynamo Control Unit 60 sec. |
| 8 | TH559EDV561 | Dynamo & Flow Control Unit |
| 9 | TH559EDV469 | Thermal Mixing Valve |
| 10 | TH559EDV470 | Solenoid & Diaphragm Assembly |
| 11 | TH559EDV471 | Control Cover Set |
| 12 | TH559EDV429R | Mounting Bracket Set |
| 13 | TH559EDV410R | Back Up Battery |
| 14 | TH559EDV472 | Check Valve |
| 15 | THP3158#CP | Cover Plate - 4" |
| 16 | THP3159#CP | Cover Plate - 8" |



Product Number Explanations

Faucet
 (T) Fitting
 (E) Electronic
 (L) Lavatory
 (S) Thermal Mixing
 (G) Generator Type
 (S) Standard Spout
 (10) 10 Second
 (60) 60 Second
 (#CP) Chrome Finish