

FEATURES

- Maximum flow rate of 2.5 gpm (9.51 lpm)
- Single spray handshower
- Includes 60" metal shower hose, shower holder and shower elbow
- 1/2" NPT connection

COLORS/FINISHES

- #CP Polished Chrome
- #RB Oil Rubbed Bronze

OPTIONAL

- TS100GR#CP 30" Slide Bar

CODES/STANDARDS

- Meets or exceeds ASME A112.18.1/CSA B125.1
- Certifications: IAPMO(cUPC), State of Massachusetts and others
- Code Compliance: UPC, IPC, NSPC, NPC Canada, and others



PRODUCT SPECIFICATION

The handshower shall have a maximum flow rate of 2.5 gpm (9.51 lpm). Product shall be a single spray. Product shall include 60" metal shower hose, shower holder and shower elbow. Product shall have 1/2" NPT connection. Handshower shall be TOTO Model TS970F2#__ __.



TS970F2

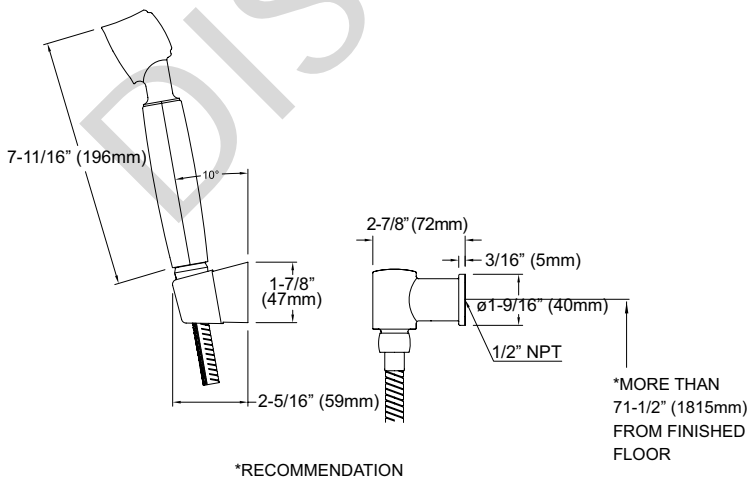
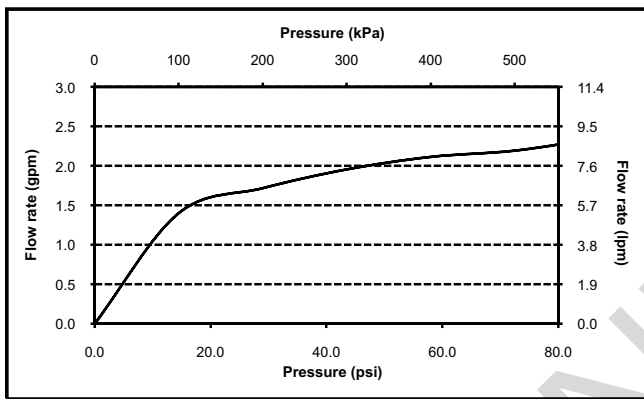
Guinevere® Handshower Set

SPECIFICATIONS

- Warranty: Lifetime Limited Warranty (Residential Use)
One Year (Oil Rubbed Bronze)
One Year (Commercial Use)
- Material: Brass/Plastics
- Shipping Weight: 4.3 lbs.
- Shipping Dimensions: 12-1/2" L x 10-3/4" W x 3-1/2" H
- Maximum Flow Rate: 2.5 gpm (9.5 lpm)

INSTALLATION NOTES

Optional Accessories:
TS100GR Slide Bar sold separately.



TOTO®

These dimensions and specifications are subject to change without notice