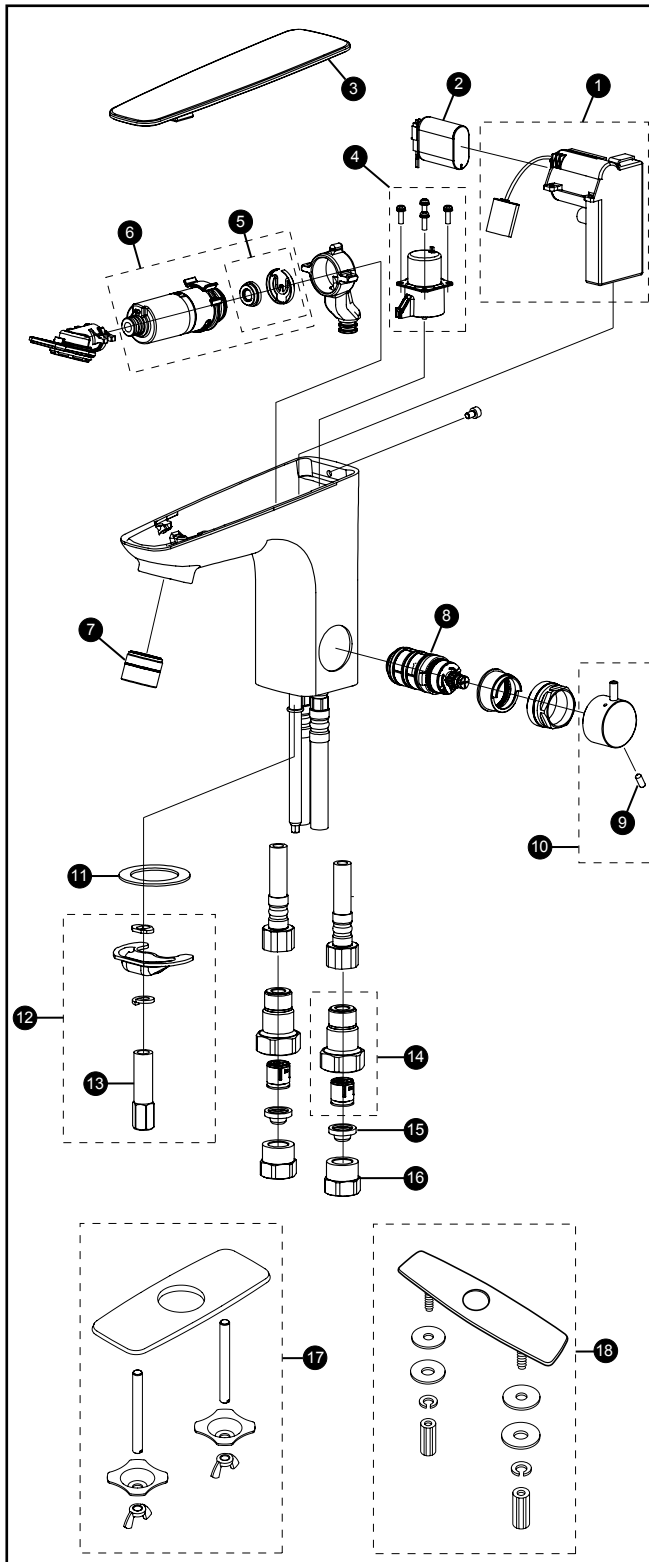


TEL5LI15#CP  
TEL5LI15R#CP

**Sensor Faucet, Integrated Spout  
Self-Generating EcoPower® System  
Thermal Mixing, 0.14gpc**



Item	Part	Description
1	THP3038	Controller and Sensor unit
2	THP3039	Back-up Battery
3	THP3040#\$\$	Top Cover
4	THP3041	Solenoid and Diaphragm Assembly
5	THP3042	Flow Regulator
6	THP3043	Generator Unit
7	THP3044	Nozzle Assembly Set
8	THP3045	SMA Thermal Mixing Valve
9	THP3046	Temperature Handle Set Screw
10	THP3047	Temperature Adjusting Handle
11	THP3048	Mounting Gasket
12	TH559EDV402R	Spout Mounting Kit
13	TH559EDV403R	Spout Nut
14	THP3049	Check Valve and Adapter Assembly
15	THP3050	Strainer
16	THP3051	3/8" Comp adapter
17	THP3158#CP	Cover Plate - 4"
18	71244T8CC	Cover Plate - 8"