

PRIOR TO SERVICE

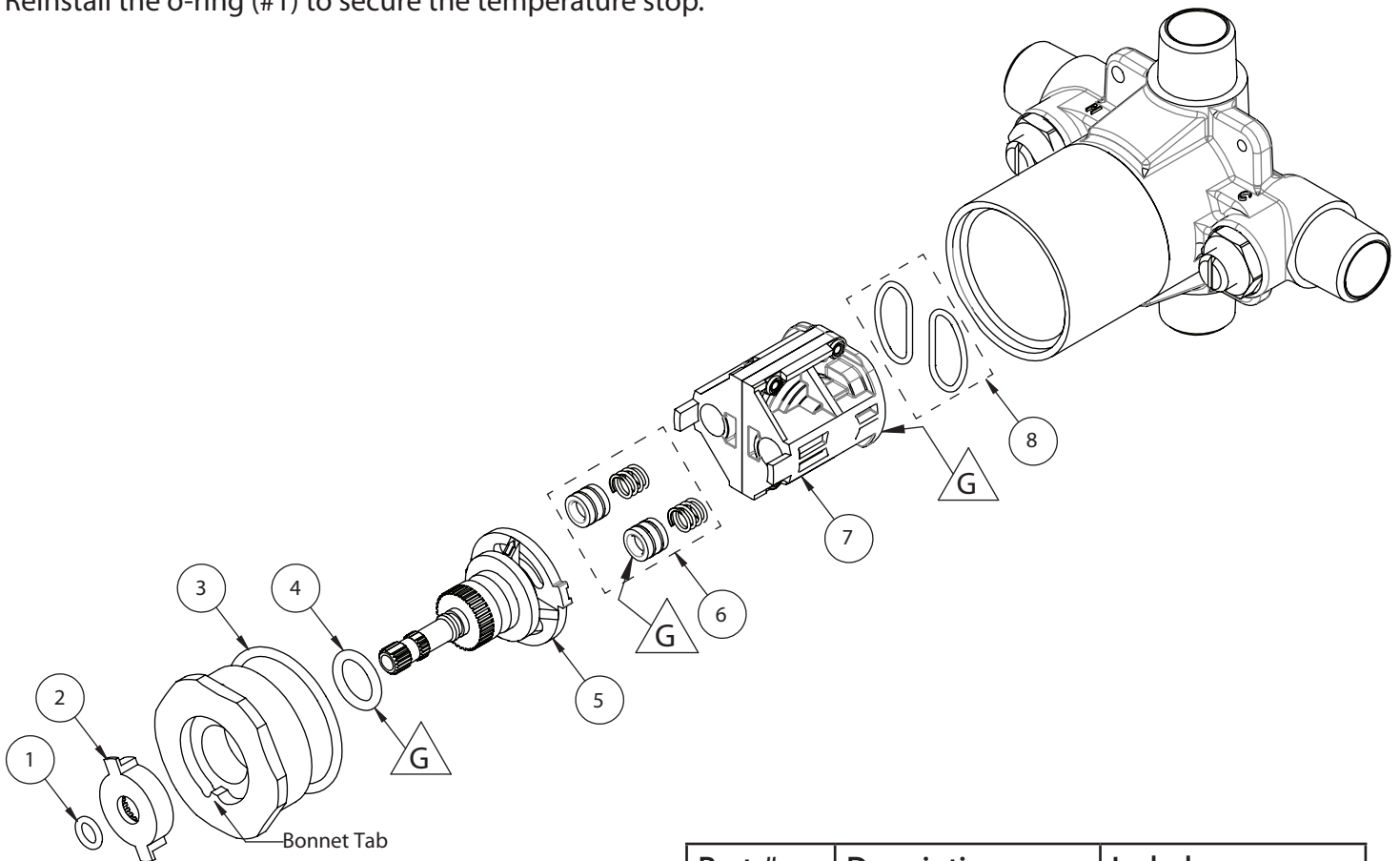
1. Remove valve trim. See trim manual for additional information.
2. Use a flat bladed screwdriver to shut off the hot and cold water supply at the service stops.

SERVICING THE CARTRIDGE (REPAIR KITS THP4805, THP4806)

1. Follow numbered disassembly steps shown in the illustration below.
2. Replace necessary components, applying silicone grease where indicated by a "△G" during reassembly.
3. When replacing valve stem (#5), the arrow must face upwards for normal installation and downwards for installations with reversed inlets. See TSPTM manual for additional information.

Any time the cartridge is serviced, the maximum temperature setting must be adjusted as follows.

4. Monitor water temperature with thermometer and rotate valve stem counterclockwise until desired maximum water temperature is reached. Do not set the water temperature above 120° F (49°C).
5. Reinstall the temperature stop (#2) so that it is touching the bonnet tab, preventing further counterclockwise rotation of the valve stem.
6. Reinstall the o-ring (#1) to secure the temperature stop.



Part #	Description	Includes
THP4805	Major Repair Kit	1,2,3,4,5,6,7,8
THP4806	Minor Repair Kit	1,3,4,6,8