

TOTO : WASHLET®

FIT CHART



WASHLET®
COMPARISON
CHART

		S7A	S7A	S7	S7	◆S550e	◆S500e	S350e	S300e
		SW4736(AT40) Contemporary (Elongated)	SW4734(AT40) Classic (Elongated)	SW4726(AT40) Contemporary (Elongated)	SW4724(AT40) Classic (Elongated)	SW3056 SW3054 (Elongated)	SW3046 SW3044 (Elongated)	SW583 (Round)	SW573 (Round)
MSRP	COTTON (#01)	\$1,959	\$1,959	\$1,785	\$1,785	\$1,730	\$1,576	\$1,841	\$1,655
	SEDONA BEIGE (#12)	\$2,253	\$2,253	\$2,053	\$2,053	\$1,990	\$1,813	\$2,117	\$1,904
CLEANSE	REAR CLEANSE	●	●	●	●	●	●	●	●
	SOFT REAR CLEANSE	●	●	●	●	●	●	●	●
	FRONT CLEANSE	●	●	●	●	●	●	●	●
	WIDE FRONT CLEANSE	●	●	●	●	●	●	●	●
	OSCILLATING CLEANSE	●	●	●	●	●	●	●	●
	PULSATING CLEANSE	●	●	●	●	●	●	●	●
	INSTANTANEOUS WATER HEATING	●	●	●	●	●	●	●	●
	WATER PRESSURE CONTROL	5 SETTINGS	5 SETTINGS	5 SETTINGS	5 SETTINGS	5 SETTINGS	5 SETTINGS	5 SETTINGS	5 SETTINGS
	WATER TEMPERATURE CONTROL	5 SETTINGS	5 SETTINGS	5 SETTINGS	5 SETTINGS	5 SETTINGS	5 SETTINGS	5 SETTINGS	5 SETTINGS
AIR	WAND POSITION ADJUSTMENT	●	●	●	●	●	●	●	●
	AIR PURIFIER (DEODORIZER)	●	●	●	●	●	●	●	●
	AIR DRYER	●	●	●	●	●	●	●	●
SEAT	AIR TEMPERATURE CONTROL	5 SETTINGS	5 SETTINGS	5 SETTINGS	5 SETTINGS	5 SETTINGS	5 SETTINGS	5 SETTINGS	5 SETTINGS
	HEATED SEAT	●	●	●	●	●	●	●	●
	HEATED SEAT TEMPERATURE CONTROL	5 SETTINGS	5 SETTINGS	5 SETTINGS	5 SETTINGS	5 SETTINGS	5 SETTINGS	5 SETTINGS	5 SETTINGS
SENSOR	SOFTCLOSE SEAT AND LID	●	●	●	●	●	●	●	●
	SEAT SENSOR	●	●	●	●	●	●	●	●
	AUTOMATIC OPEN AND CLOSE LID	●	●	—	—	●	—	●	—
	AUTOMATIC FLUSH	●**	●**	●**	●**	●**	●**	—	—
REMOTE CONTROL	NIGHT LIGHT	●	●	●	●	●	—	●	—
	REMOTE CONTROL	●	●	●	●	●	●	●	●
	REMOTE CONTROLLED SEAT	●	●	—	—	●	—	●	—
HYGIENE	ON-DEMAND WAND CLEANING	●	●	●	●	●	●	●	●
	REMOVABLE LID	●	●	●	●	●	●	●	●
	PREMIST	●	●	●	●	●	●	●	●
	EWATER+® FOR BOWL	●	●	●	●	●	●	●	●
	EWATER+ FOR WAND	●	●	●	●	●	●	●	●
	WAND CLEANING MODE	●	●	●	●	●	●	●	●
	SELF-CLEANING WAND	●	●	●	●	●	●	●	●
ENERGY SAVING	CLEAN RESIN FOR WAND AND SEAT	●	●	●	●	●	●	●*	●*
	ENERGY-SAVER TIMER	6, 9 HOURS	6, 9 HOURS	6, 9 HOURS	6, 9 HOURS	6, 9 HOURS	6, 9 HOURS	3, 6, 9 HOURS	3, 6, 9 HOURS
	AUTO ENERGY SAVER	●	●	●	●	●	●	●	●
ON/OFF BUTTON		●	●	●	●	●	●	●	●
RATED POWER USAGE		1290W	1290W	1290W	1290W	1288W	1287W	835W	835W
LENGTH OF POWER CORD		3.9 ft. (1.2 m)	3.9 ft. (1.2 m)	3.9 ft. (1.2 m)	3.9 ft. (1.2 m)	3.9 ft. (1.2 m)	3.9 ft. (1.2 m)	3.9 ft. (1.2 m)	3.9 ft. (1.2 m)
WASHLET NOZZLE FLOW RATE		.08 - 11 gal./min.	.08 - 11 gal./min.	.08 - 11 gal./min.	.08 - 11 gal./min.	9.1 - 14.5 oz./min.	9.1 - 14.5 oz./min.	9.1 - 14.5 oz./min.	9.1 - 14.5 oz./min.
REAR									
SOFT		.08 - 11 gal./min.	.08 - 11 gal./min.	.08 - 11 gal./min.	.08 - 11 gal./min.	10.8 - 14.5 oz./min.	10.8 - 14.5 oz./min.	10.8 - 14.5 oz./min.	10.8 - 14.5 oz./min.
FRONT		.08 - 11 gal./min.	.08 - 11 gal./min.	.08 - 11 gal./min.	.08 - 11 gal./min.	9.8 - 14.5 oz./min.	9.8 - 14.5 oz./min.	9.8 - 14.5 oz./min.	9.8 - 14.5 oz./min.
WATER TEMPERATURE		86°F - 104°F	86°F - 104°F	86°F - 104°F	86°F - 104°F	86°F - 104°F	86°F - 104°F	86°F - 104°F	86°F - 104°F
DRYER AIR TEMPERATURE		95°F - 140°F	95°F - 140°F	95°F - 140°F	95°F - 140°F	95°F - 140°F	95°F - 140°F	95°F - 140°F	95°F - 140°F
AIR VOLUME		8.83 ft ³ /min.	8.83 ft ³ /min.	8.83 ft ³ /min.	8.83 ft ³ /min.	10.24 ft ³ /min.	10.24 ft ³ /min.	10.24 ft ³ /min.	10.24 ft ³ /min.
HEATED SEAT TEMPERATURE		82° F - 97° F	82° F - 97° F	82° F - 97° F	82° F - 97° F	82° F - 97° F	82° F - 97° F	82° F - 97° F	82° F - 97° F
WATER SUPPLY PRESSURE		7.25 psi - 108.75 psi	7.25 psi - 108.75 psi	7.25 psi - 108.75 psi	7.25 psi - 108.75 psi	7 psi - 109 psi	7 psi - 109 psi	7 psi - 109 psi	7 psi - 109 psi
WATER SUPPLY TEMPERATURE		32°F to 95°F	32°F to 95°F	32°F to 95°F	32°F to 95°F	33°F to 95°F	33°F to 95°F	33°F to 95°F	33°F to 95°F
AMBIENT TEMPERATURE		32°F to 104°F	32°F to 104°F	32°F to 104°F	32°F to 104°F	33°F to 104°F	33°F to 104°F	33°F to 104°F	33°F to 104°F
SIZE	ELONGATED	23-3/8"L x 17-5/8"W x 6-1/4"H	23-3/8"L x 17-5/8"W x 6-1/4"H	23-3/8"L x 17-5/8"W x 6-1/4"H	23-3/8"L x 17-5/8"W x 6-1/4"H	15-5/16"W x 20 15/16"D x 4 13/16"H	15 1/16"W x 20 15/16"D x 4 13/16"H	-	-
	ROUND	-	-	-	-	-	-	15-5/16"W x 18-7/8"D x 3-15/16"H	15-5/16"W x 18-7/8"D x 3-15/16"H

◆ Limited Inventory

●** Optional upgrade for WASHLET+ models

●* Only for wand

WASHLET®
COMPARISON
CHART

		*K300	C5	C5	◆C200	C2	C2	* KC2	◆ A100	A2
		SW3036R (Elongated)	SW3084 (Elongated)	SW3083 (Round)	SW2043R (Round)	SW3074 (Elongated)	SW3073 (Round)	SW3024#01 (Elongated)	SW2014 (Elongated)	SW3004 (Elongated)
MSRP	COTTON (#01)	\$1,223	\$819	\$819	\$773	\$709	\$709	\$641	\$514	\$540
	SEDONA BEIGE (#12)	\$1,407	\$942	—	\$889	\$815	—	—	—	—
CLEANSE	REAR CLEANSE	●	●	●	●	●	●	●	●	●
	SOFT REAR CLEANSE	●	●	●	●	●	●	●	●	●
	FRONT CLEANSE	●	●	●	●	●	●	●	●	●
	WIDE FRONT CLEANSE	—	—	—	—	—	—	—	—	—
	OSCILLATING CLEANSE	●	●	●	●	●	●	●	●	●
	PULSATING CLEANSE	●	●	●	●	●	●	●	—	—
	INSTANTANEOUS WATER HEATING	●	—	—	—	—	—	—	—	—
	WATER PRESSURE CONTROL	5 SETTINGS	5 SETTINGS	5 SETTINGS	5 SETTINGS	5 SETTINGS	5 SETTINGS	5 SETTINGS	5 SETTINGS	5 SETTINGS
	WATER TEMPERATURE CONTROL	3 SETTINGS	3 SETTINGS	3 SETTINGS	5 SETTINGS	3 SETTINGS	3 SETTINGS	3 SETTINGS	3 SETTINGS	3 SETTINGS
	WAND POSITION ADJUSTMENT	●	●	●	●	●	●	●	●	●
AIR	AIR PURIFIER (DEODORIZER)	●	●	●	●	●	●	—	—	—
	AIR DRYER	●	●	●	●	●	●	●	—	●
	AIR TEMPERATURE CONTROL	3 SETTINGS	3 SETTINGS	3 SETTINGS	5 SETTINGS	3 SETTINGS	3 SETTINGS	3 SETTINGS	—	3 SETTINGS
SEAT	HEATED SEAT	●	●	●	●	●	●	●	●	●
	HEATED SEAT TEMPERATURE CONTROL	3 SETTINGS	3 SETTINGS	3 SETTINGS	5 SETTINGS	3 SETTINGS	3 SETTINGS	3 SETTINGS	3 SETTINGS	3 SETTINGS
SENSOR	SOFTCLOSE SEAT AND LID	●	●	●	●	●	●	●	●	●
	SEAT SENSOR	●	●	●	●	●	●	●	●	●
	AUTOMATIC OPEN AND CLOSE LID	—	—	—	—	—	—	—	—	—
	AUTOMATIC FLUSH	—	—	—	—	—	—	—	—	—
REMOTE CONTROL	NIGHT LIGHT	—	—	—	—	—	—	—	—	—
	REMOTE CONTROL	●	●	●	●	SIDE PANEL	SIDE PANEL	SIDE PANEL	SIDE PANEL	SIDE PANEL
	REMOTE CONTROLLED SEAT	—	—	—	—	—	—	—	—	—
HYGIENE	ON-DEMAND WAND CLEANING	●	●	●	—	●	●	●	—	●
	REMOVABLE LID	●	●	●	●	●	●	●	●	●
	PREMIST	●	●	●	●	●	●	—	—	—
	EWATER+® FOR BOWL	—	—	—	—	—	—	—	—	—
	EWATER+® FOR WAND	●	●	●	●	●	●	—	—	—
	WAND CLEANING MODE	●	●	●	●	●	●	●	●	●
	SELF-CLEANING WAND	●	●	●	—	●	●	●	—	●
ENERGY SAVING	CLEAN RESIN FOR WAND AND SEAT	●	●	●	●*	●	●	●*	●*	●
	ENERGY-SAVER TIMER	6, 9 HOURS	6, 9 HOURS	6, 9 HOURS	—	6, 9 HOURS	6, 9 HOURS	6, 9 HOURS	—	6, 9 HOURS
	AUTO ENERGY SAVER	●	●	●	●	●	●	●	●	●
ON/OFF BUTTON	●	●	●	—	●	●	●	—	●	
RATED POWER USAGE		1274 W	403W	403W	406W	406W	406W	403W	292W	287W
LENGTH OF POWER CORD		3.9 ft. (1.2 m)	3.9 ft. (1.2 m)	3.9 ft. (1.2 m)	Maximum length 3.93 ft.	3.9 ft. (1.2 m)	3.9 ft. (1.2 m)	3.9 ft. (1.2 m)	3.9 ft. (1.2 m)	3.9 ft. (1.2 m)
WASHLET NOZZLE FLOW RATE	REAR	9.1 - 14.5 oz./min.	9.1 - 14.5 oz./min.	9.1 - 14.5 oz./min.	9.1 - 14.5 oz. / min.	9.1 - 14.5 oz./min.	9.1 - 14.5 oz./min.	9.1 - 14.5 oz./min.	9.1 - 14.5 oz./min.	9.1 - 14.5 oz./min.
	SOFT	10.8 - 14.5 oz./min.	10.8 - 14.5 oz./min.	10.8 - 14.5 oz./min.	9.1 - 14.5 oz. / min.	9.1 - 14.5 oz./min.	9.1 - 14.5 oz./min.	9.1 - 14.5 oz./min.	9.1 - 14.5 oz./min.	9.1 - 14.5 oz./min.
	FRONT	9.8 - 14.5 oz./min.	9.8 - 14.5 oz./min.	9.8 - 14.5 oz./min.	9.8 - 14.5 oz. / min.	9.8 - 14.5 oz./min.	9.8 - 14.5 oz./min.	9.8 - 14.5 oz./min.	9.8 - 14.5 oz./min.	9.8 - 14.5 oz./min.
WATER TEMPERATURE		86°F - 104°F	95°F - 104°F	95°F - 104°F	95°F - 104°F	95°F - 140°F	95°F - 140°F	95°F - 104°F	95°F - 104°F	95°F - 104°F
DRYER	AIR TEMPERATURE	95°F - 140°F	95°F - 140°F	95°F - 140°F	86°F - 140°F	95°F - 140°F	95°F - 140°F	95°F - 140°F	—	—
	AIR VOLUME	10.24 ft3/min.	8.83 ft3/min.	8.83 ft3/min.	9.54 ft3 / min.	9.54 ft3/min.	9.54 ft3/min.	8.83 ft3 / min.	—	—
HEATED SEAT TEMPERATURE		82° F - 97° F	82° F - 97° F	82° F - 97° F	82° F - 97° F	82° F - 97° F	82° F - 97° F	82° F - 97° F	82° F - 97° F	82° F - 97° F
WATER SUPPLY PRESSURE		7 psi - 109 psi	7 psi - 109 psi	7 psi - 109 psi	7 psi - 109 psi	7 psi - 109 psi	7 psi - 109 psi	7 psi - 109 psi	7 psi - 109 psi	7 psi - 109 psi
WATER SUPPLY TEMPERATURE		33°F to 95°F	33°F to 95°F	33°F to 95°F	33°F to 95°F	33°F to 95°F	33°F to 95°F	33°F to 95°F	33°F to 95°F	33°F to 95°F
AMBIENT TEMPERATURE		33°F to 104°F	33°F to 104°F	33°F to 104°F	33°F to 104°F	33°F to 104°F	33°F to 104°F	33°F to 104°F	33°F to 104°F	33°F to 104°F
PRODUCT	SIZE ELONGATED	15-1/8"W x 20-7/8"D x 5-3/16"H	15-1/8"W x 20-7/8"D x 5-3/4"H	-	-	18-5/8"W x 20-7/8"D x 5-3/4"H	-	18-5/8"W x 20-7/8"D x 5-3/4"H	15-3/8"W x 20-7/8"D x 7-3/8"H	18-5/8"W x 20-7/8"D x 6-5/8"H
	ROUND	-	-	15"W X 19"D X 5-3/4"H	15 3/8" W 19 1/4" D 7 7/16" H	-	18-9/16"W x 19"D x 5-3/4"H	-	-	-

●* Only for wand

●** Optional upgrade for WASHLET+ models

◆ Limited Inventory

*ECOMMERCE only product

WASHLET®

COMPATIBILITY CHART

	SIZE	NAME	S7A/S7	S550e/ S500e	S350e/ S300e	K300	C5/C2	C200	KC2	A2	A100
ONE-PIECE TOILETS	ELONGATED	AIMES®									
		AQUIA IV 1G									
		AQUIA IV									
		CAROLINA® II									
		CARLYLE® II 1G®									
		CARLYLE II									
		GUINEVERE®									
		LEGATO®									
		PROMENADE® II 1G	●	●	—	●	●	—	●	●	●
		PROMENADE II									
		ECO SOIREE®									
		SUPREME II									
		ECO ULTIMATE®									
		ULTRAMAX®									
		ULTRAMAX® II 1G									
		ULTRAMAX II									
	ROUND	ULTIMATE									
		ULTRAMAX	—	—	●	—	●	●	—	—	—

	SIZE	NAME	S7A/S7	S550e/ S500e	S350e/ S300e	K300	C5/C2	C200	KC2	A2	A100
TWO-PIECE TOILETS	ELONGATED	AQUIA IV** 1G									
		AQUIA IV**									
		ECO CLAYTON®									
		CONNELLY®**									
		ECO DARTMOUTH®									
		DRAKE®									
		DRAKE II 1G									
		DRAKE II	●	●	—	●	●	—	●	●	●
		ENTRADA									
		NEXUS® 1G									
		NEXUS									
		PROMENADE II 1G									
		PROMENADE II									
		VESPIN® II 1G									
		VESPIN® II									
			ROUND	DRAKE II						—	
DRAKE	—			—	●	—	●		—	—	—
DRAKE II 1G								●			
PROMENADE							—				
WALL-HUNG TOILETS	ELONGATED	AP	●	●	—	●	●	—	●	●	●
		EP									

*Extension kit THU9090R required

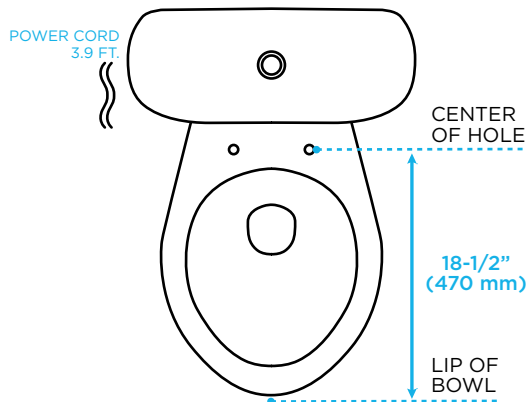
**Extension kit 9AU321-A required

WASHLET® INSTALLATION REQUIREMENTS

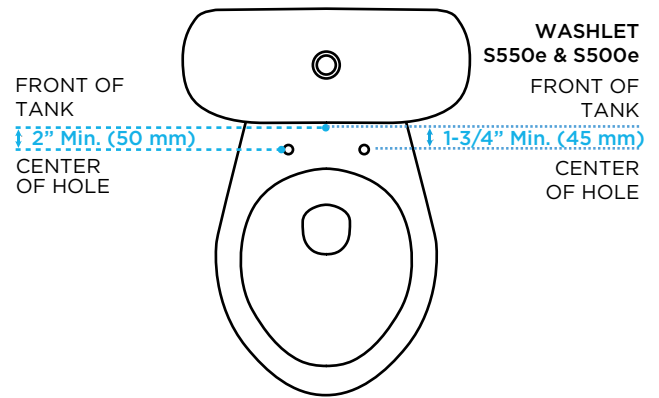
For when your existing toilet is in need of an upgrade.

The following four-part diagram details the approximate measurements and requirements for installing most WASHLET models on existing toilets. Note that some styles of toilets may not allow the WASHLET to fit properly due to certain contours where the tank meets the bowl.

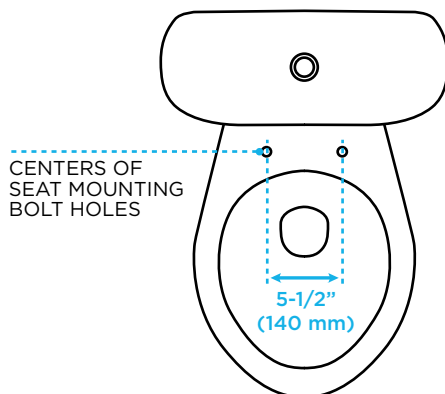
ELONGATED FRONT WASHLET



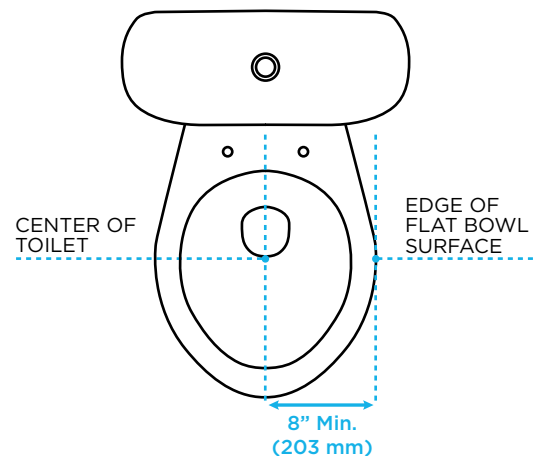
1. Elongated seats approximately 18-1/2 inches (470 mm) from mounting holes to front of bowl.



2. Minimum requirement for front face of tank to the center of mounting holes:
S7A, S7, C5, & C2: 2 inches (50 mm)
S550e & S500e: 1-3/4 inches (45 mm)

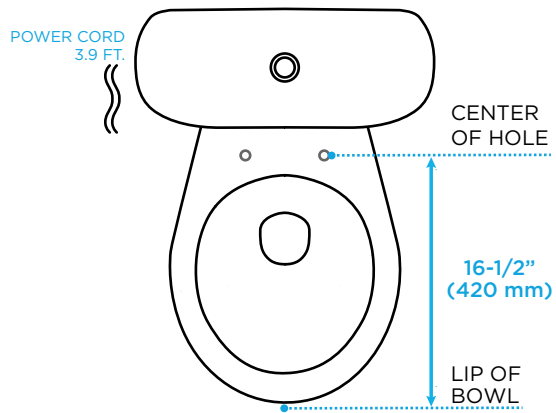


3. Approximately 5-1/2 inches (140 mm) from the centers of the seat mounting holes.

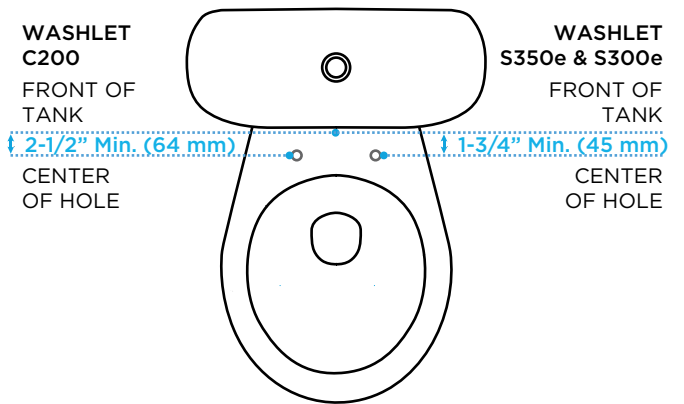


4. Minimum of 8 inches (203 mm) of open space from center of toilet to edge of flat bowl surface.

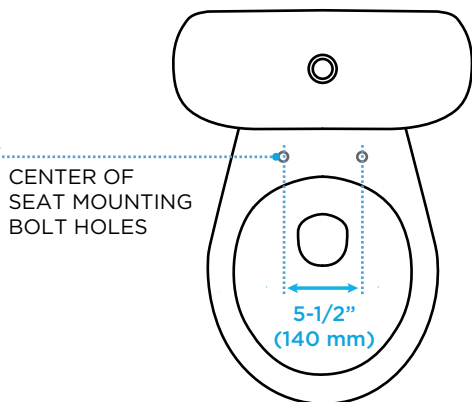
ROUND FRONT WASHLET



1. Round seats approximately 16-1/2 inches (420 mm) from mounting holes to front of bowl.



2. Minimum requirement for front face of tank to the center of mounting holes:
C200: 2-1/2 inches (64 mm)
S350e & S300e: 1-3/4 inches (45 mm)



3. Approximately 5-1/2 inches (140 mm) from the centers of the seat mounting holes.

TOTO USA, INC.
1155 SOUTHERN ROAD
MORROW, GA 30260
800-350-8686

www.washlet.com
www.totousa.com