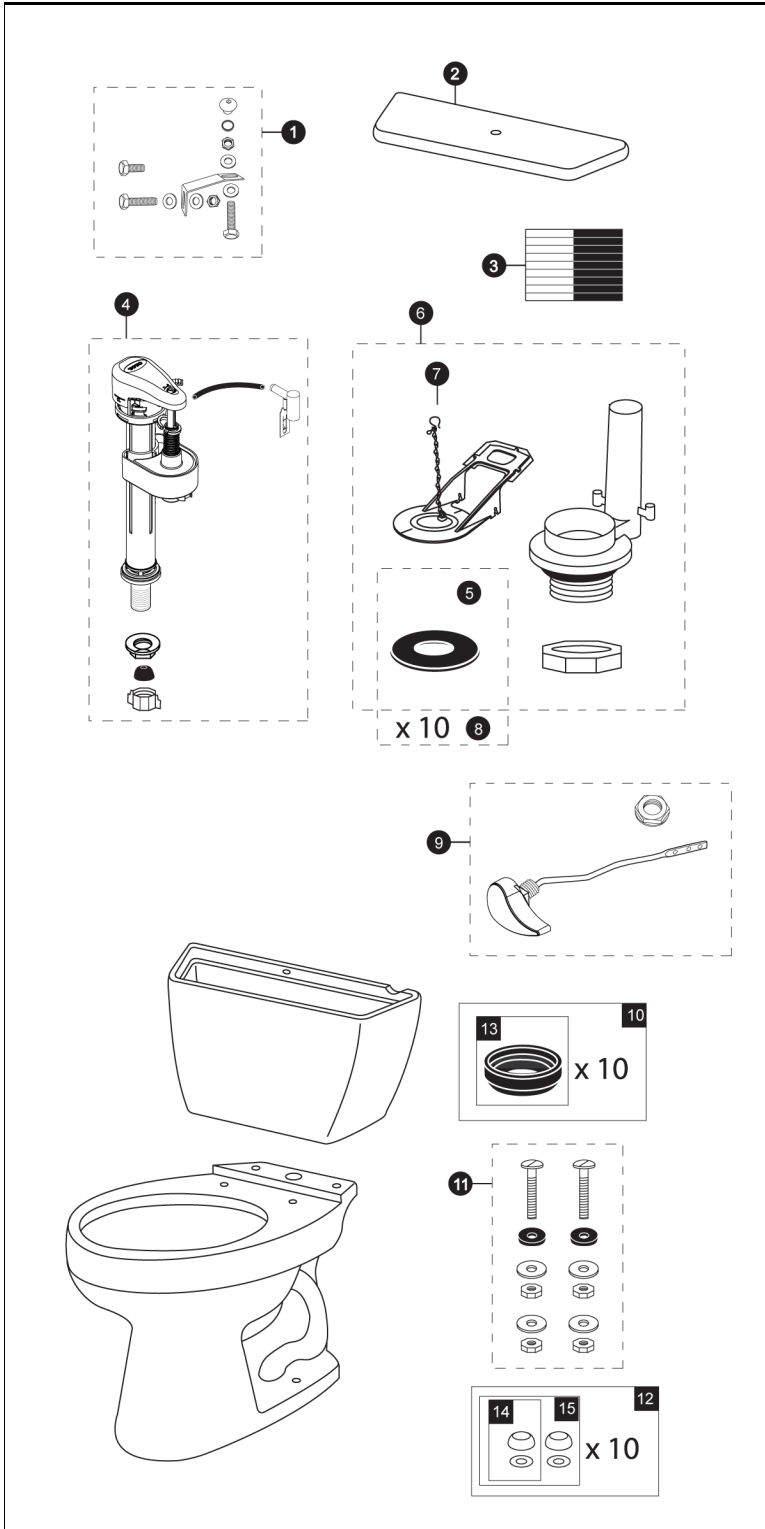


CST744SLDB  
ST743SDB  
C744SL

**Drake®**

**1.6 Gpf Toilet, Elongated,  
G-Max®, ADA, 12" Rough In,  
Insulated Tank, Bolt Down Tank Lid**



Items	Parts	Description
1	THU089	Bolt Down Set
2	TCU743BCR#01	Bolt Down Tank Lid w/ Velcro - Cotton
	TCU743BCR#03	Bolt Down Tank Lid w/ Velcro - Bone
	TCU743BCR#11	Bolt Down Tank Lid w/ Velcro - Colonial White
	TCU743BCR#12	Bolt Down Tank Lid w/ Velcro - Sedona Beige
	TCU743BCR#51	Bolt Down Tank Lid w/ Velcro - Ebony
3	THU107	Velcro Tape
4	TSU53A	Fill Valve
5	9BU001ER	Flapper Gasket
6	THU130	Flush Valve
7	THU092-7	Flapper w/ Chain - Insulated Tank
8	THU096	Flapper Gaskets (10 pieces)
9	THU068#01	Trip Lever - Cotton
	THU068#03	Trip Lever - Bone
	THU068#11	Trip Lever - Colonial White
	THU068#12	Trip Lever - Sedona Beige
	THU068#51	Trip Lever - Ebony
	THU068#CP	Trip Lever - Chrome Plated
	THU068#BN	Trip Lever - Brushed Nickel
	THU068#PN	Trip Lever - Polished Nickel
10	THU131	Tank to Bowl Gaskets (10 pieces)
11	TSU01D	Tank Mounting Kit
12	THU098#01	Bolt Cap Sets - Cotton (20 pieces)
	THU098#03	Bolt Cap Sets - Bone (20 pieces)
	THU098#11	Bolt Cap Sets - Colonial White (20 pieces)
	THU098#12	Bolt Cap Sets - Sedona Beige (20 pieces)
	THU098#51	Bolt Cap Sets - Ebony (20 pieces)
13	9BU024E	3" Tank to Bowl Gasket
14	THU044#01	Bolt Cap - Cotton
	THU044#03	Bolt Cap - Bone
	THU044#11	Bolt Cap - Colonial White
	THU044#12	Bolt Cap - Sedona Beige
	THU044#51	Bolt Cap - Ebony
15	THU044S#01	Bolt Cap Set - Cotton (2 pieces)
	THU044S#03	Bolt Cap Set - Bone (2 pieces)
	THU044S#11	Bolt Cap Set - Colonial White (2 pieces)
	THU044S#12	Bolt Cap Set - Sedona Beige (2 pieces)
	THU044S#51	Bolt Cap Set - Ebony (2 pieces)

**Note:**

**Product Number Explanations**

**Two-Piece Toilet**

(CST) Gravity Type Toilet  
(744) Model  
(S) G-Max®  
(L) ADA Compliant  
(D) Insulated Tank  
(B) Bolt Down Tank Lid

**Tank**

(ST) Tank  
(743) Model  
(S) G-Max®  
(D) Insulated Tank  
(B) Bolt Down Tank Lid

**Bowl**

(C) Bowl  
(744) Model  
(S) G-Max®  
(L) ADA Compliant

Actual Product may vary slightly from illustration.