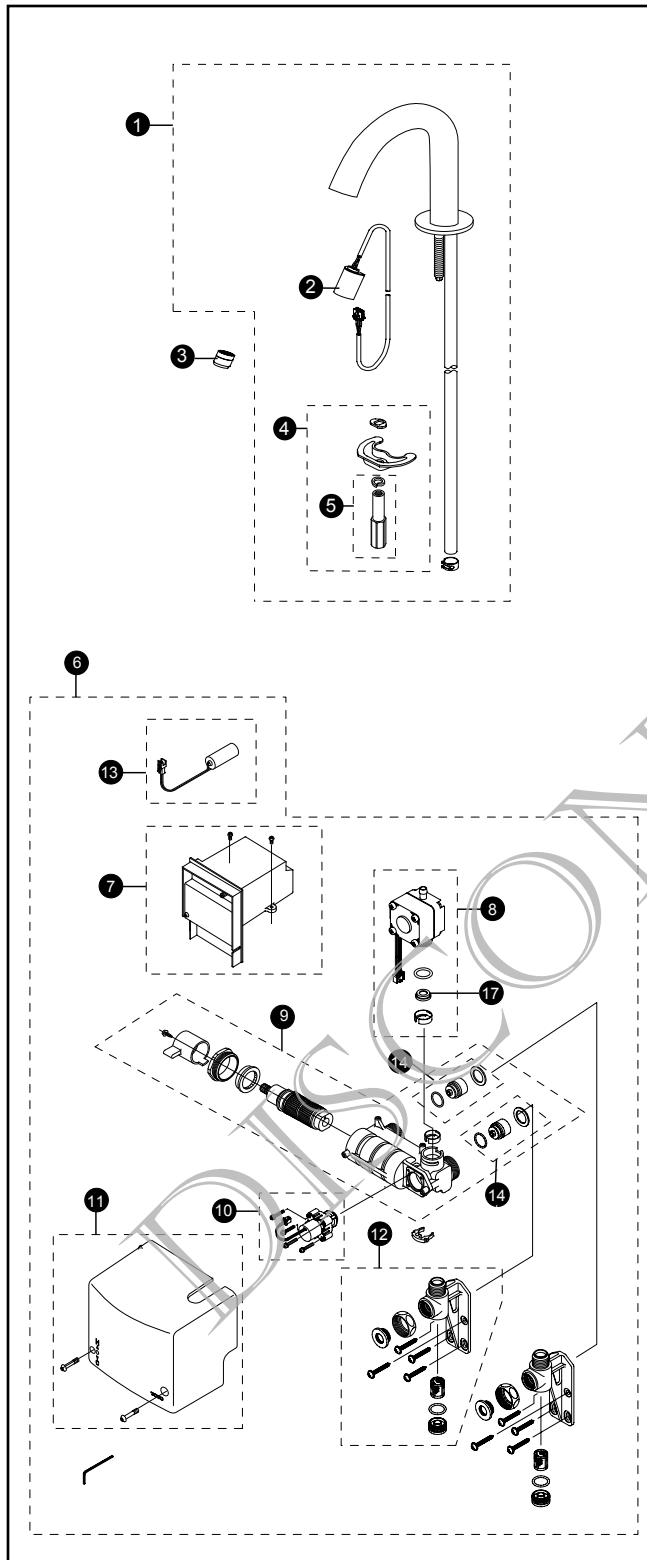


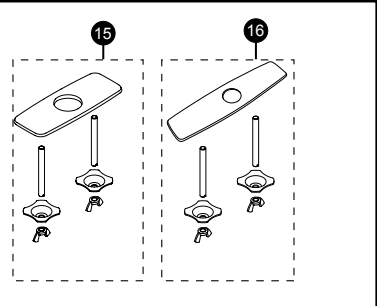
# TEL5LC10(R)#CP

TEL5LC10#CP  
 TEL5LC10R#CP  
 TELL100#CP (Spout)  
 TN78-10V710 (Controller)

## Sensor Faucet, Helix™ Spout EcoPower® Self-Generating System Thermal Mixing, 0.5 GPM



Item	Part	Description
1	THP3020#CP	Spout Assembly (without nozzle)
2	TH559EDV436	Sensor
3	THU3048#CP	Nozzle Assembly Set (0.5 GPM Aerator Flow Type)
4	TH559EDV402R	Spout Mounting Kit
5	TH559EDV403R	Spout Nut
6	TN78-10V710	Controller Assembly
7	TH559EDV560	Thermal Dynamo Control Unit 10 sec.
8	TH559EDV563	0.5 GPM Dynamo & Flow Control Unit
9	TH559EDV469	Thermal Mixing Valve
10	TH559EDV470	Solenoid & Diaphragm Assembly
11	TH559EDV471	Control Cover Set
12	TH559EDV429R	Mounting Bracket Set
13	THP3053	Back-Up Battery
14	TH559EDV472	Check Valve
15	THP3158#CP	Cover Plate - 4"
16	THP3159#CP	Cover Plate - 8"
17	TH559EDV570	0.5GPM regulator



Product Number Explanations	
<b>Sensor Faucet</b>	
(T)	Fitting
(E)	Electronic
(L)	Lavatory
(5)	Thermal Mixing
(L)	0.5 GPM Generator Type
(C)	Helix Spout
(10)	10 Second
(#CP)	Chrome Finish