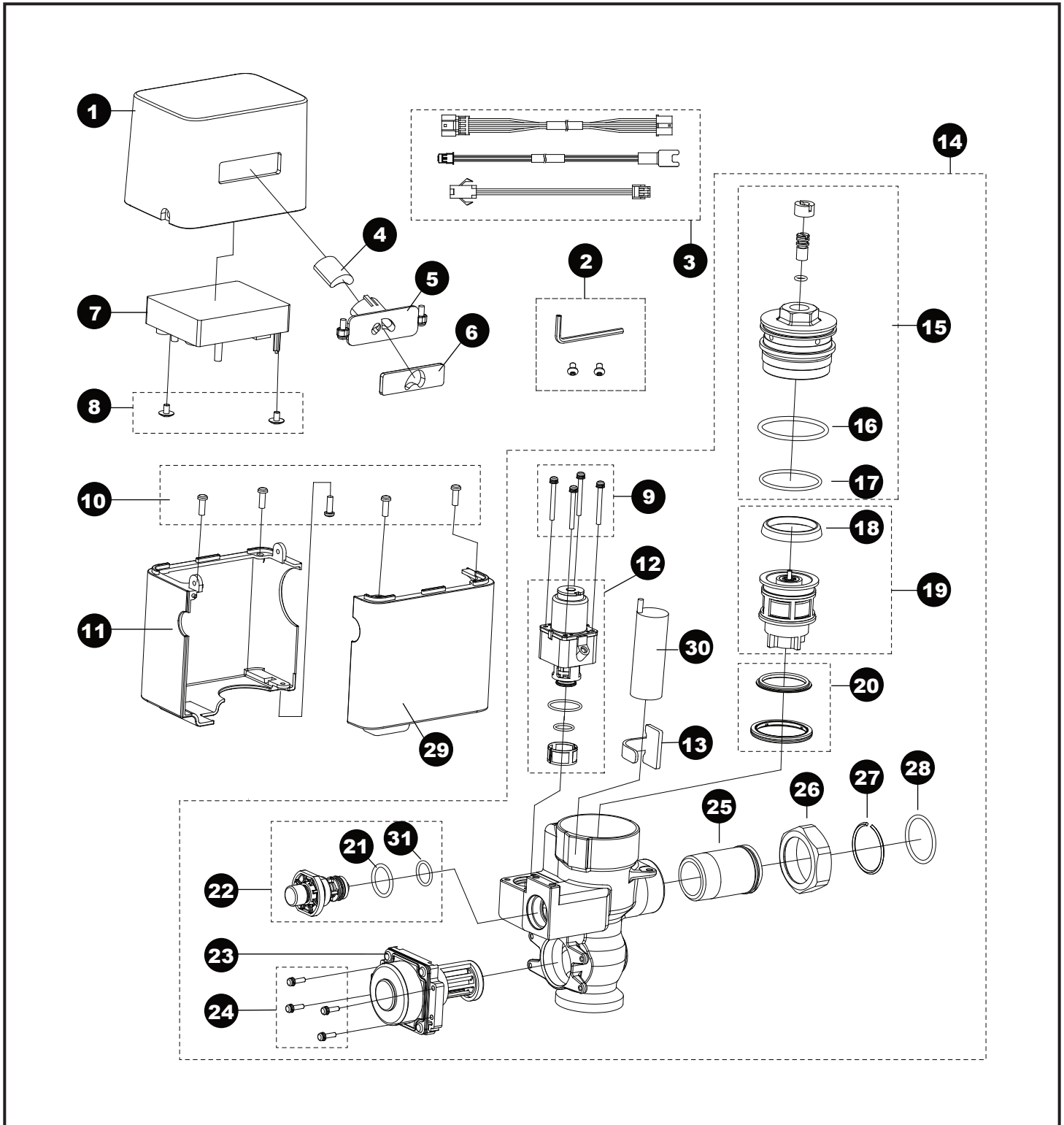


EcoPower® Flush Valve, Toilet, Exposed, 1.0 Gpf 24" VB



**EcoPower® Flush Valve,
Toilet, Exposed, 1.0 Gpf
24" VB**

| Item | Part | Description |
|-------------|-------------|--------------------------------------|
| 1 | THP3201#CP | Cover, top |
| 2 | THP3232 | Screw w/wrench set, exposed |
| 3 | THP3209 | Extension harness (3 type/bag) |
| 4 | THP3187 | Sensor unit |
| 5 | THP3206 | Bracket, sensor w/screw (20D) |
| 6 | THP3207 | Glass, sensor window, exposed |
| 7 | THP3280 | Controller unit, E |
| 8 | THP3208 | Screw, controller mount (2/bag) |
| 9 | THP3192 | Screw (4/bag) |
| 10 | THP3204 | Screw, cover, valve (5/bag) |
| 11 | THP3203#CP | Cover, lower, B |
| 12 | THP3190 | Solenoid unit & diaphragm assy |
| 13 | TH559EDV517 | Clamp set (10/bag) |
| 14 | THP3281 | Valve body assy, exposed, toilet |
| 15 | THP3188 | Valve cap assembly |
| 16 | THP3189 | O-ring, valve cap top (10/bag) |
| 17 | TH305SV112 | O-ring, valve cap botm (10/bag) |
| 18 | TH305SV103 | U-packing, piston (10/bag) |
| 19 | TH323V104R | Piston assembly |
| 20 | TH321 | Seat packing set |
| 21 | THP3013 | O-ring, screen nut (10/bag) |
| 22 | TH559EDV506 | Push button assembly |
| 23 | TH559EDV503 | EcoPower generator, toilet |
| 24 | TH559EDV505 | Screw, EcoPower generator |
| 25 | TH305SV114 | Tailpiece |
| 26 | TH305SV113 | Nut, tailpiece/angle stop |
| 27 | TH305SV105 | Locking ring set, tailpiece (10/bag) |
| 28 | TH305SV106 | O-ring, tailpiece (10/bag) |
| 29 | THP3202#CP | Cover, lower, A |
| 30 | THP3053 | Back-up battery |
| 31 | THP3242 | O-ring (1/bag) |

Vacuum Breaker Sets

| | |
|----------|---|
| VBXCP-32 | Top Spud, 1-1/2" Outlet, For 24" Long VB tube |
| 10075T1L | 24.5" VB tube, 1-1/2" |

Note: for additional information, refer to the individual vacuum breaker parts sheets.