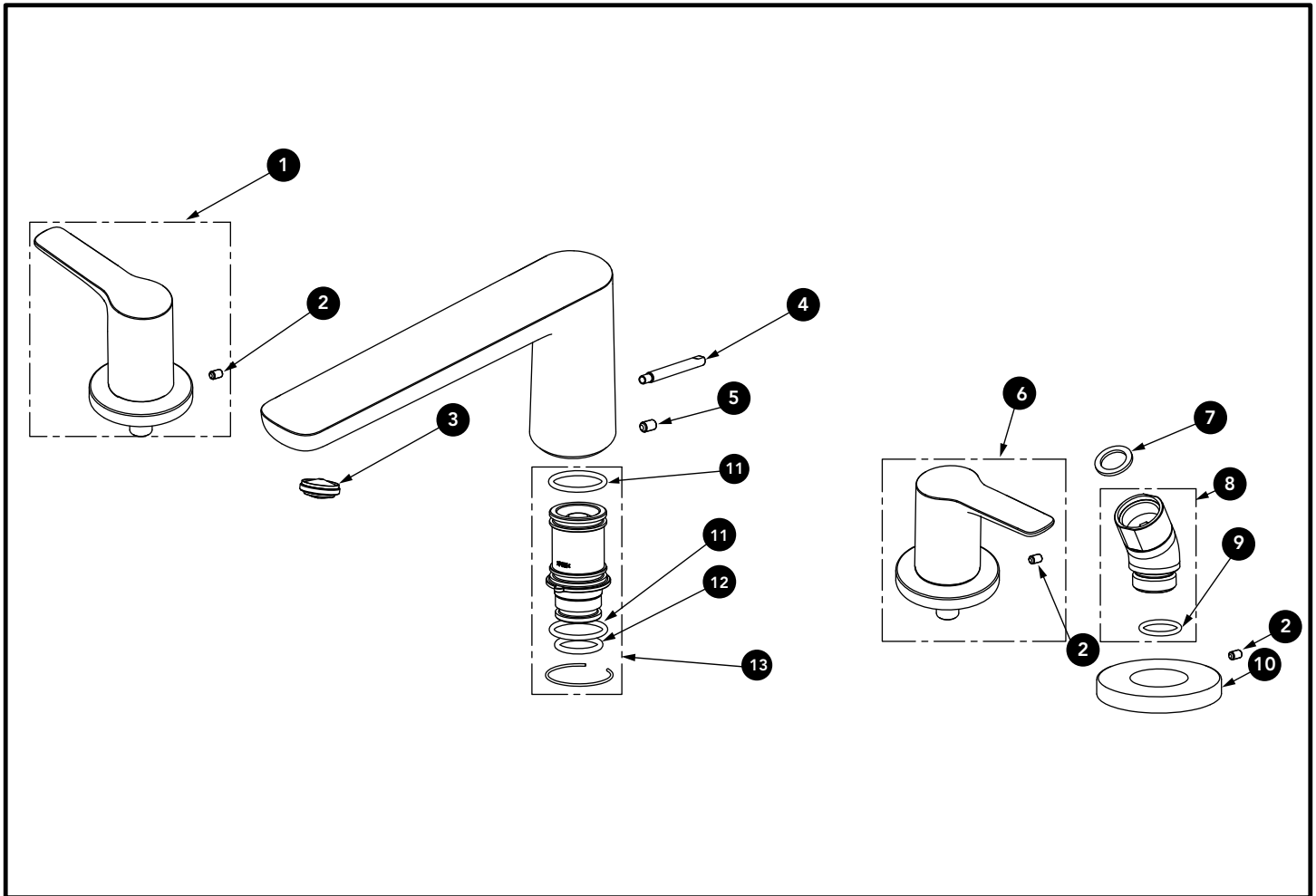


GS Roman Tub Filler Trim(4-Hole)



Item	Part	Description
1*	THP5183#\$\$	Handle (HOT)
2	THP4365	Set Screw
3	THP5214	Aerator
4*	THP5185#\$\$	Diverter Bar
5	THP5178	Set Screw
6*	THP5184#\$\$	Handle (COLD)
7	THP4229	Gasket
8*	THP5187#\$\$	Elbow
9	THP5188	O-Ring
10*	THP5191#\$\$	Escutcheon
11	THP5180	O-Ring
12	THP5181	O-Ring
13	THP5190	Valve Connector

* Please specify finish when ordering

LEGEND
\$\$ = Denotes Finish
#CP = Polished Chrome
#BN = Brushed Nickel
#PN = Polished Nickel