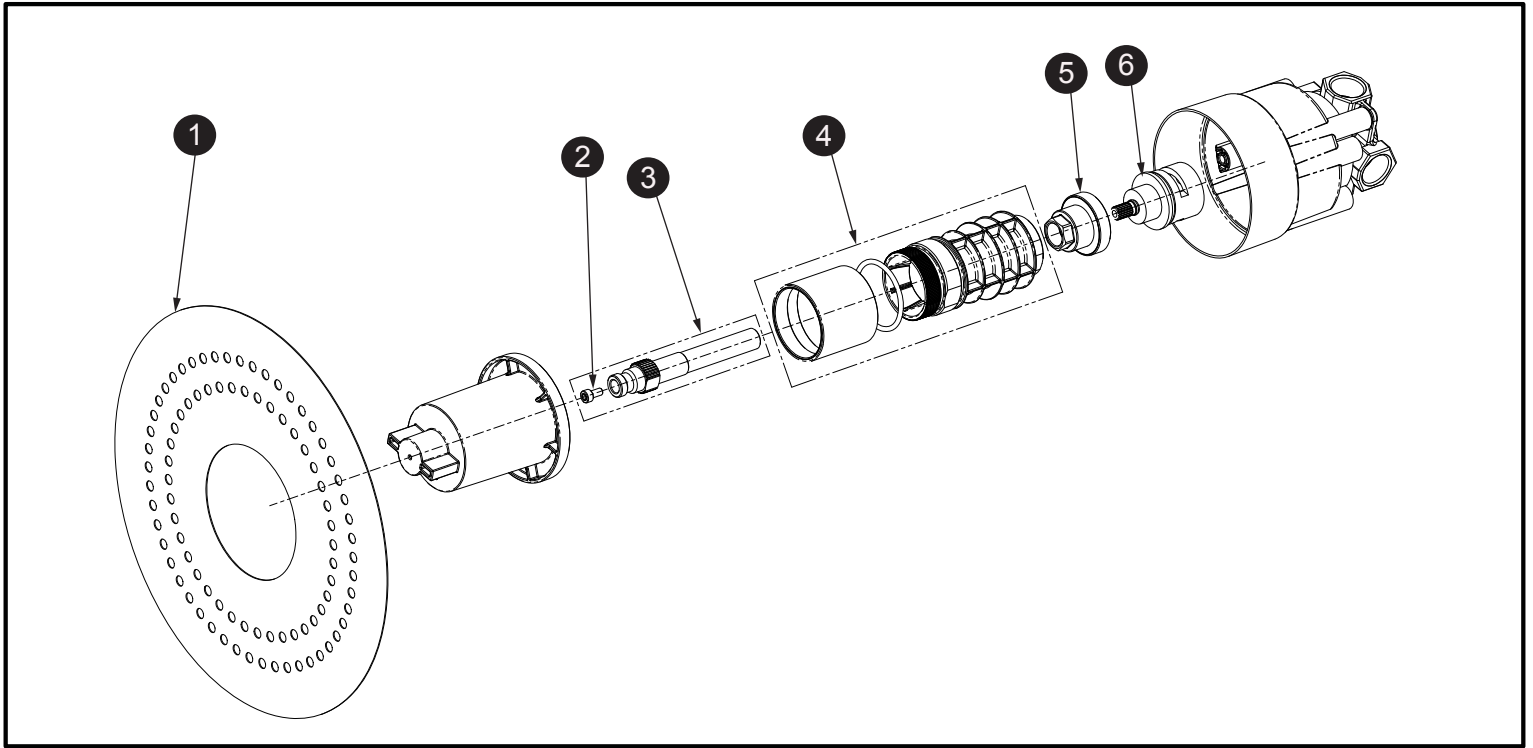


2-Way Diverter Valve w/o Shutoff



Item	Part	Description
1	THP5250	Vapor Barrier
2	THP5237	Hex Screw
3	THP5251	Volume Control Stem Set
4*	THP5252#\$\$	Cartridge Sleeve
5	THP5253	Nut
6	THP5255	Cartridge

* Please specify finish when ordering

LEGEND
\$\$ = Denotes Finish
#CP = Polished Chrome
#BN = Brushed Nickel
#PN = Polished Nickel