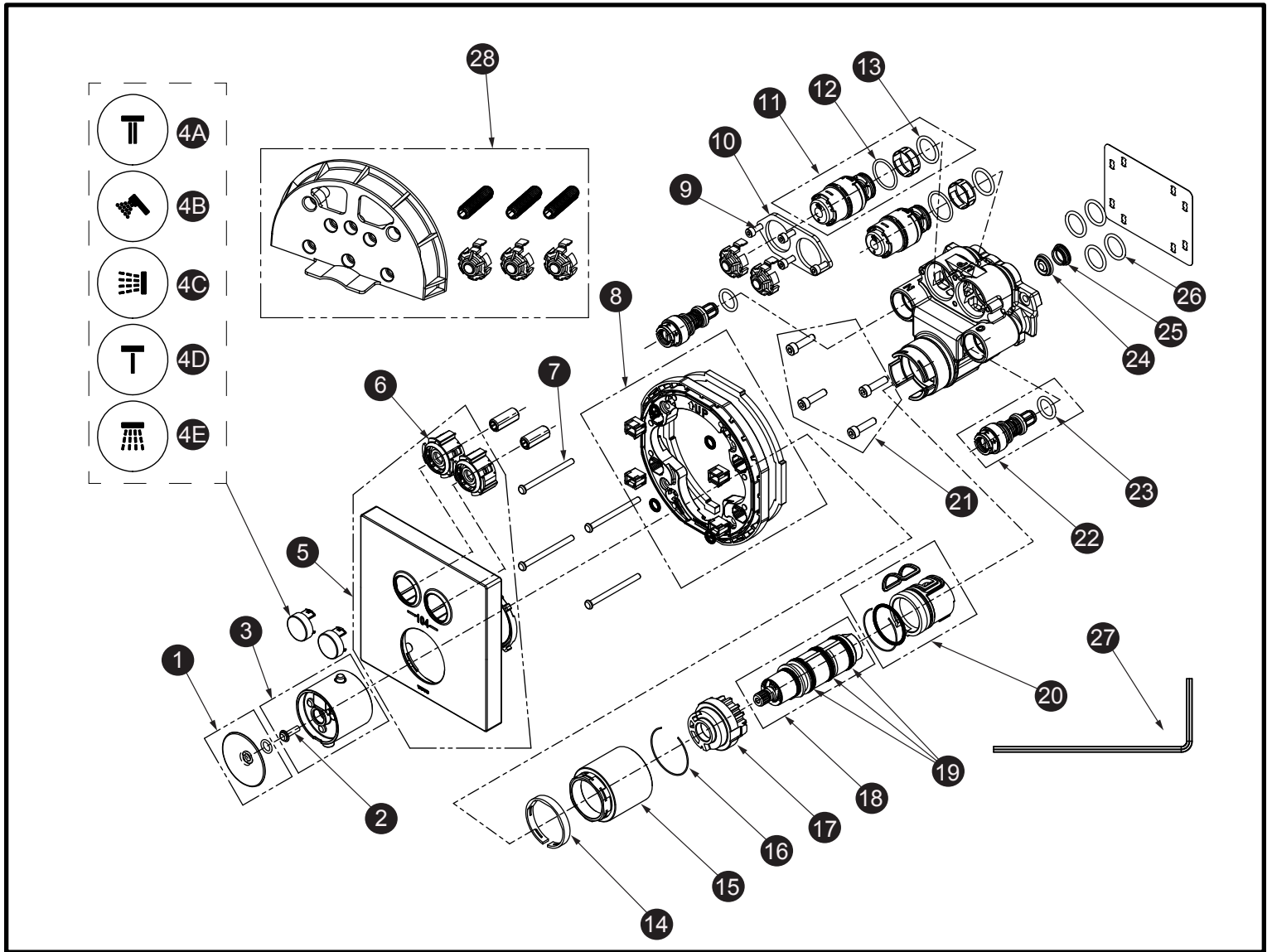


**Thermostatic w/ 2-Way Shutoff  
Push Button Valve**



| Item | Part         | Description             | Item | Part         | Description           |
|------|--------------|-------------------------|------|--------------|-----------------------|
| 1*   | THP5215#\$\$ | Handle Cap              | 13   | THP4736      | O-Ring                |
| 2    | THP5216      | Screw                   | 14   | THP5221      | Snap Ring             |
| 3*   | THP5217#\$\$ | Temp. Control Handle    | 15*  | THP5222#\$\$ | Cartridge Sleeve      |
| 4A*  | THP5278#\$\$ | Push Button: Tub Spout  | 16   | THP5223      | Snap Ring             |
| 4B*  | THP5279#\$\$ | Push Button: Handshower | 17   | THP5224      | Temperature Limiter   |
| 4C*  | THP5280#\$\$ | Push Button: Body Spray | 18   | THP5276      | Thermostat Cartridge  |
| 4D*  | THP5281#\$\$ | Push Button: Warm Spa   | 19   | THP4616      | O-Ring                |
| 4E*  | THP5282#\$\$ | Push Button: Showerhead | 20   | THP5227      | Inner Sleeve          |
| 5*   | THP5284#\$\$ | Trim                    | 21   | THP5230      | Hex Screw (4 pcs/pkg) |
| 6    | THP5268      | Push Button Base        | 22   | THP5228      | Service Stop          |
| 7    | THP5269      | Screw (4 pcs/pkg)       | 23   | THP5229      | O-Ring                |
| 8    | THP5270      | Lining Plate            | 24   | THP5288      | Sealing Ring          |
| 9    | THP5285      | Screw (4 pcs/pkg)       | 25   | THP5287      | Cap                   |
| 10   | THP5286      | Fixing Plate            | 26   | THP5231      | O-Ring (4 pcs/pkg)    |
| 11   | THP5273      | Diverter Cartridge      | 27   | THP5232      | Hex Wrench            |
| 12   | THP4756      | O-Ring                  | 28   | THP5277      | Fixing Cover set      |

\* Please specify finish when ordering

| LEGEND |                   |
|--------|-------------------|
| \$\$   | = Denotes Finish  |
| #CP    | = Polished Chrome |
| #BN    | = Brushed Nickel  |
| #PN    | = Polished Nickel |