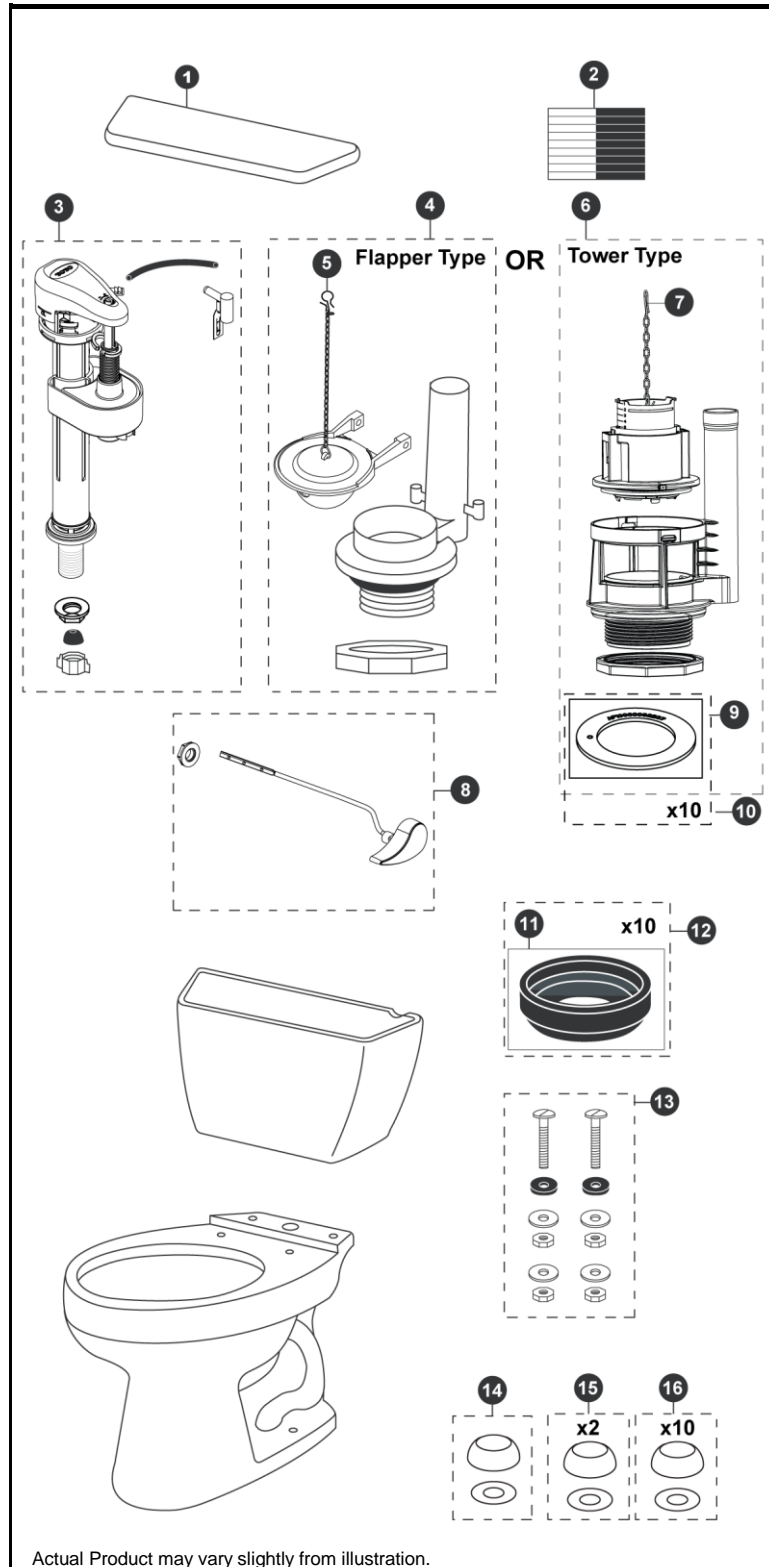


CST744SLR
C744SL
ST743SR

Drake® 1.6 Gpf Toilet, Elongated, G-Max®, ADA, 12" Rough-In, Right Hand Trip Lever



Item	Part	Description
1	TCU743CR#01	Tank Lid w/ Velcro Tape - Cotton
	THU743CR#03	Tank Lid w/ Velcro Tape - Bone
	THU743CR#11	Tank Lid w/ Velcro Tape - Colonial White
	THU743CR#12	Tank Lid w/ Velcro Tape - Sedona Beige
	THU743CR#51	Tank Lid w/ Velcro Tape - Ebony
2	THU107	Velcro Tape
3	TSU53A	Fill Valve
4	THU129P-A	Flush Valve
5	THU500S	Flapper w/ Chain
6	THU443.10B-A	Drain Valve for Tower Type
7	THU440-A	Flush Tower
8	THU279#CP	Trip Lever - Chrome Plated
	THU279#BN	Trip Lever - Brushed Nickel
	THU279#PN	Trip Lever - Polished Nickel
9	THU407	Seal Gasket (1 piece)
10	THU364-A	Seal Gasket (10 pieces)
11	9BU024E	3" Tank to Bowl Gasket
12	THU131	Tank to Bowl Gaskets (10 pieces)
13	TSU01D	Tank Mounting Kit
14	THU044#01	Bolt Cap Set - Cotton (1 set)
	THU044#03	Bolt Cap Set - Bone (1 set)
	THU044#11	Bolt Cap Set - Colonial White (1 set)
	THU044#12	Bolt Cap Set - Sedona Beige
	THU044#51	Bolt Cap Set - Ebony
15	THU044S#01	Bolt Cap Sets - Cotton (2 pieces)
	THU044S#03	Bolt Cap Sets - Bone (2 pieces)
	THU044S#11	Bolt Cap Sets - Colonial White (2 pieces)
	THU044S#12	Bolt Cap Sets - Sedona Beige (2 pieces)
	THU044S#51	Bolt Cap Sets - Ebony (2 pieces)
16	THU098#01	Bolt Cap Sets - Cotton (20 pieces)
	THU098#03	Bolt Cap Sets - Bone (20 pieces)
	THU098#11	Bolt Cap Sets - Colonial White (20 pieces)
	THU098#12	Bolt Cap Sets - Sedona Beige (20 pieces)
	THU098#51	Bolt Cap Sets - Ebony (20 pieces)

Note:

Product Number Explanations

Two-Piece Toilet

(CST) Gravity Type Toilet
(744) Model
(S) G-Max®
(L) ADA Compliant
(R) Right Hand Trip Lever

Tank

(ST) Tank
(743) Model
(S) G-Max®
(R) Right Hand Trip Lever

Bowl

(C) Bowl
(744) Model
(S) G-Max®
(L) ADA Compliant