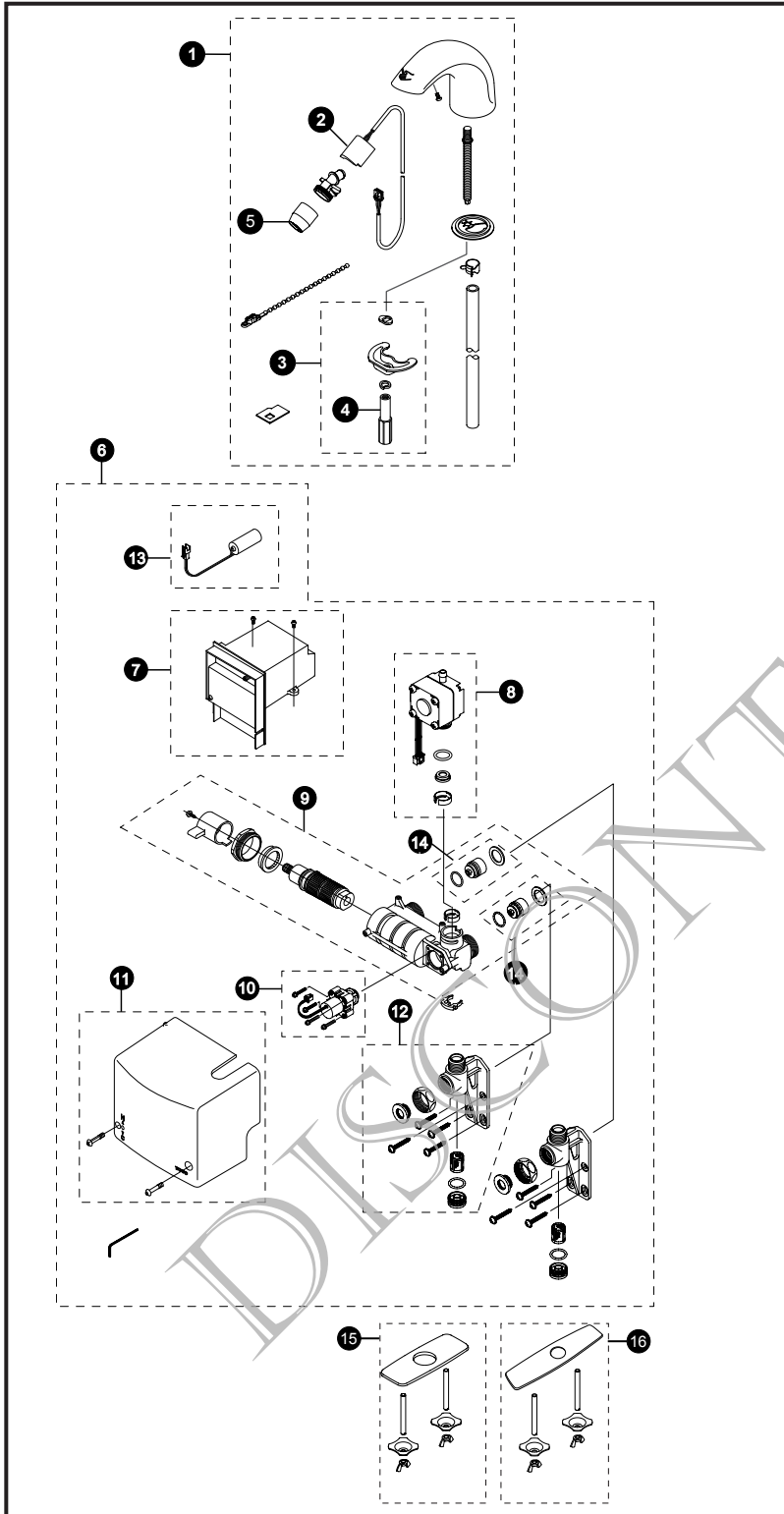


# TEL5LS10(R)

TEL5LS10#CP  
 TELS100#\$\$ (Spout)  
 TN78-10V710 (Controller)

## Sensor Faucet, Standard Spout EcoPower® Self-Generated System Thermal Mixing, 0.5 gpm



Item	Part	Description
1	TELS100#\$\$	Spout Assy
2	TH559EDV545	Sensor
3	TH559EDV402R	Spout Mounting Kit
4	TH559EDV403R	Spout Nut
5	TH559EDV568	Nozzle Assy Set (0.5 GPM Aerator Flow)
6	TN78-10V710	Controller Assy
7	TH559EDV560	Thermal Dynamo Control Unit 10 sec.
8	TH559EDV563	0.5 GPM Dynamo & Flow Control Unit
9	TH559EDV469	Thermal Mixing Valve
10	TH559EDV470	Solenoid & Diaphragm Assy
11	TH559EDV471	Control Cover Set
12	TH559EDV429R	Mounting Bracket Set
13	THP3053	Back-Up Battery
14	TH559EDV472	Check Valve
15	THP3158#CP	Cover Plate - 4"
16	THP3159#CP	Cover Plate - 8"

### Product Number Explanations

#### Sensor Faucet

(T) Fitting  
 (E) Electronic  
 (L) Lavatory  
 (5) Thermal Mixing  
 (L) 0.5 GPM Generator Type  
 (S) Standard Spout  
 (10) 10 Second  
 (#CP) Chrome Finish

### LEGEND

\$\$ = Denotes Finish  
 #CP = Polished Chrome  
 #BN = Brushed Nickel  
 #PN = Polished Nickel