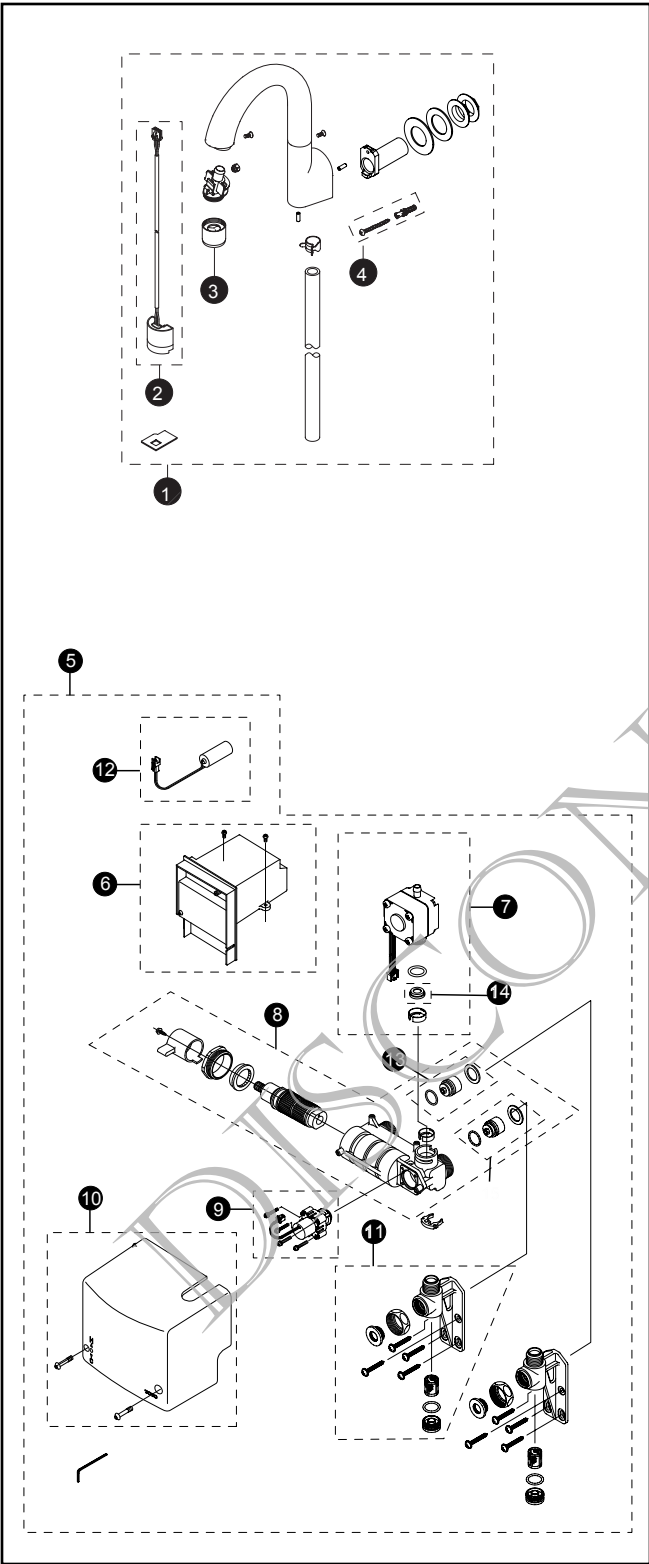


TEL5GGW10/60#CP

TEL5GGW10#CP
 TEL5GGW60#CP
 TEL210GRV100 (Spout)
 TN78-10V510 (TEL5GGW10#CP Controller)
 TN78-10V560 (TEL5GGW60#CP Controller)

Sensor Faucet, Gooseneck Wall Mount Spout Self-Generating EcoPower® System Thermal Mixing, 1.0 GPM



Item	Part	Description
1	TEL210GRV100	Spout Assembly
2	TH559EDV405	Sensor
3	TH559EDV564	Nozzle Assembly Set (Aerator Flow Type)
	TH559EDV432	Nozzle Assembly Set (Laminar Flow Type)
4	THP4514	Machine Screw and Wall Anchor
5	TN78-10V510	Controller Assembly (TEL5GGW10#CP)
	TN78-10V560	Controller Assembly (TEL5GGW60#CP)
6	TH559EDV560	Thermal Dynamo Control Unit 10 sec.
	TH559EDV467	Thermal Dynamo Control Unit 60 sec.
7	TH559EDV561	Dynamo & Flow Control Unit
8	TH559EDV469	Thermal Mixing Valve
9	TH559EDV470	Solenoid & Diaphragm Assembly
10	TH559EDV471	Control Cover Set
11	TH559EDV429R	Mounting Bracket Set
12	THP3053	Back Up Battery
13	TH559EDV472	Check Valve
14	TH559EDV572	1.0 gpm Flow Regulator

Product Number Explanations

Faucet
 (T) Fitting
 (E) Electronic
 (L) Lavatory
 (S) Thermal Mixing
 (G) Generator Type
 (GW) Gooseneck Wall Mount
 (10) 10 Second
 (60) 60 Second
 (#CP) Chrome Finish