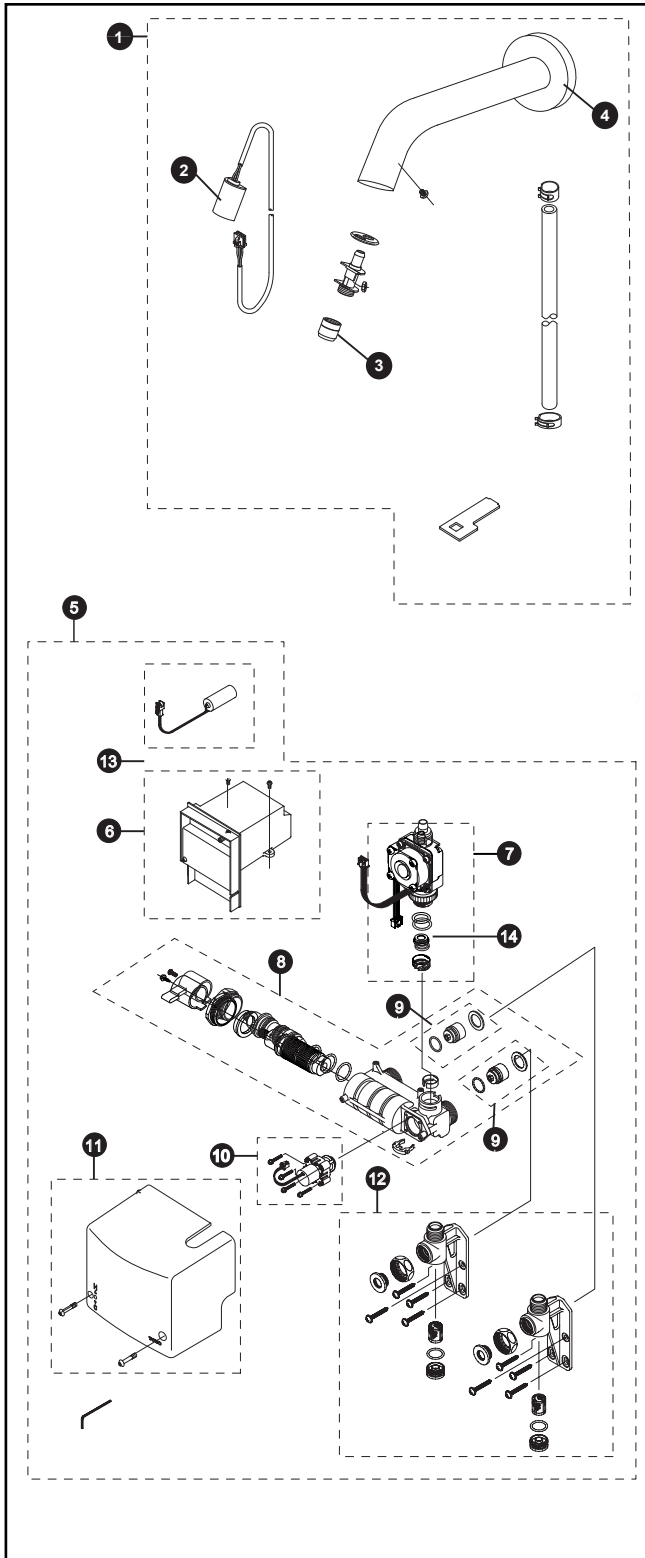


TEL5LW10(R)#CP

TEL5LW10#CP
 TEL5LW10R#CP
 TELLW100#CP (Spout)
 TN78-10V710 (Controller)

Sensor Faucet, Helix™ Wall Mount Spout Self-Generating EcoPower® System Thermal Mixing, 0.5 GPM



| Item | Part | Description |
|------|--------------|-------------------------------------|
| 1 | TELLW100#CP | Spout Assembly |
| 2 | TH559EDV436 | Sensor |
| 3 | THU3048#CP | 0.5GPM Nozzle Assembly Set |
| 4 | THP3004#CP | Escutcheon |
| 5 | TN78-10V710 | Controller Assembly |
| 6 | TH559EDV560 | Thermal Dynamo Control Unit 10 sec. |
| 7 | TH559EDV563 | 0.5GPM Dynamo and Flow Control Unit |
| 8 | TH559EDV469 | Thermal Mixing Valve |
| 9 | TH559EDV472 | Check Valve Unit |
| 10 | TH559EDV470 | Solenoid and Diaphragm Assembly |
| 11 | TH559EDV471 | Control Cover Set |
| 12 | TH559EDV429R | Mounting Bracket Set |
| 13 | THP3053 | Back-Up Battery |
| 14 | TH559EDV570 | 0.5GPM regulator |

Product Number Explanations

Faucet

(T) Fitting
 (E) Electronic
 (L) Lavatory
 (S) Thermal Mixing
 (L) Generator Type
 (W) Wall Mount
 (10) 10 Second
 (#CP) Polished Chrome