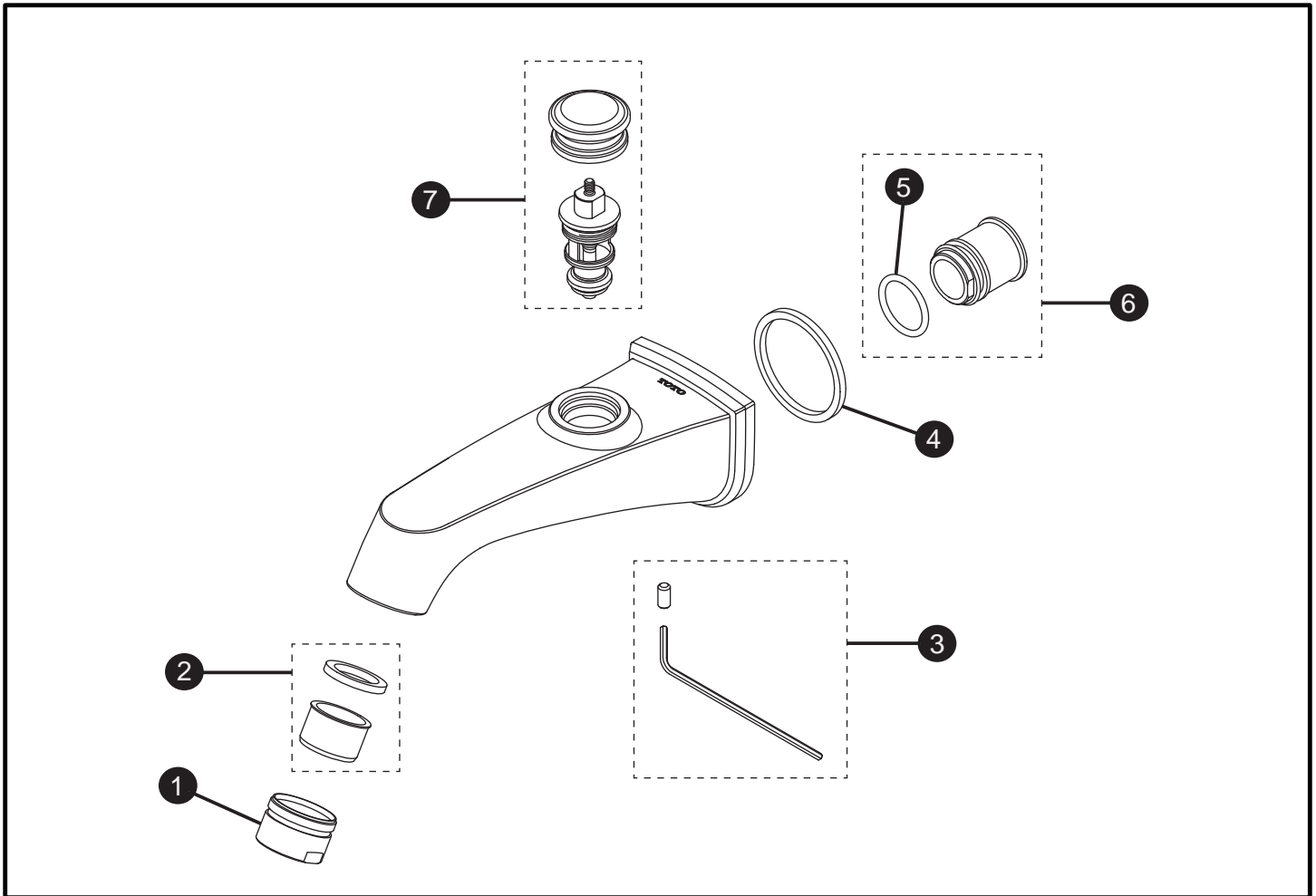


Keane™  
Diverter Tub Spout



Item	Part	Description
1*	THP4919#\$\$	Housing
2	THP4924	Flow Insert and Gasket
3	THP4815	Set Screw and Hex Wrench
4	THP4828	Gasket
5	THP4812	O-Ring
6	THP4813	Adapter with O-Ring
7*	THP4988#\$\$	Diverter with Knob

LEGEND
\$\$ = Denotes Finish
#CP = Polished Chrome
#BN = Brushed Nickel
#PN = Polished Nickel

\* Please specify finish when ordering