

MS446124CEM(G), MS446234CEMG, MW4463046CEMG(A) & MW4463056CEMG(A)

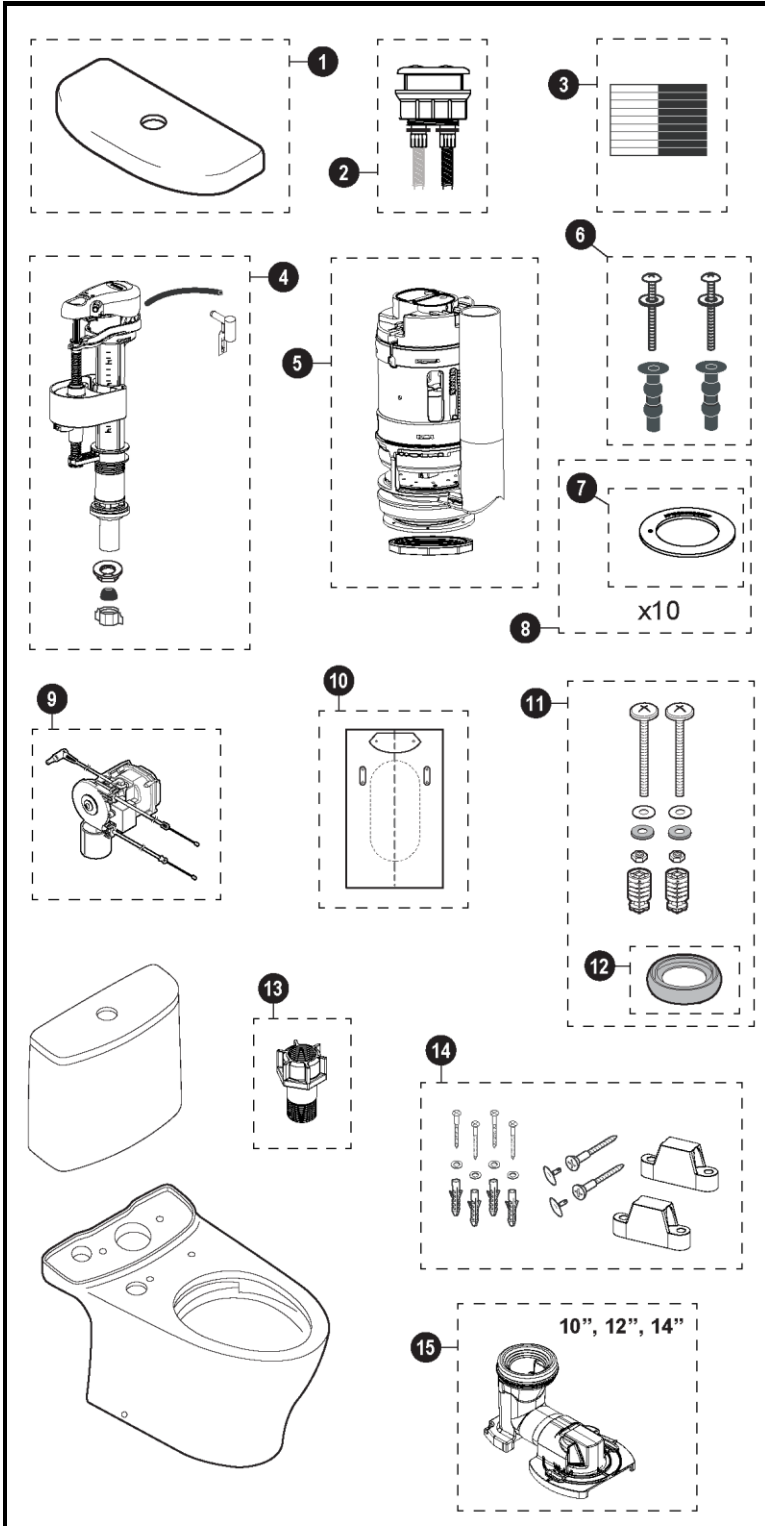
MS446124CEM(G)  
CT446CU(G)T40  
ST446EMA  
SS124

MS446234CEMG  
CT446CUGT40  
ST446EMA  
SS234

MW4463046CEMG(A)  
CT446CUGT40  
ST446EMA  
SW3046AT40

MW4463056CEMG(A)  
CT446CUGT40  
ST446EMA  
SW3056AT40

**Aquia® IV WASHLET®+**  
**1.28 & 0.8 Gpf Toilet, Elongated, Regular Height**  
**DYNAMAX TORNADO FLUSH®, Unifit Rough-In,**  
**(includes CEFIONTECT® & Auto Flush)**



Item	Part	Description
1	TCU446CRE#01	Tank Lid - Cotton
	TCU446CRE#03	Tank Lid - Bone
	TCU446CRE#11	Tank Lid - Colonial White
	TCU446CRE#12	Tank Lid - Sedone Beige
	TCU446CRE#51	Tank Lid - Ebony
2	THU735#01-A	Push Button Assembly - Cotton
	THU735#BN-A	Push Button Assembly - Brushed Nickel
	THU735#CP-A	Push Button Assembly - Chrome Plated
	THU735#PN-A	Push Button Assembly - Polished Nickel
3	THU107	Velcro Tape
4	TSU99A.X	Fill Valve
5	THU738N-A	Flush Valve Assembly, 1.28gpf
6	THU651N	Seat Top Mounting Hardware
7	9BU112E-A	Seal Gasket for Flush Valve (1 piece)
8	THU744	Seal Gasket for Flush Valve (10 pieces)
9	THU765	Auto Flush unit for Dual Flush
10	0GU181-A	12" Unifit Rough-in Template
	0GU182-A	10" & 14" Unifit Rough-in Template
11	THU741-A	Tank to Bowl Mounting Hardware
12	9BU109E-A	Tank to Bowl Gasket
13	9AU321-A	Fill Valve extension adapter
14	THU742#01-A	Toilet Mounting Hardware (for #01 & #11)
	THU742#03-A	Toilet Mounting Hardware
	THU742#12-A	Toilet Mounting Hardware
	THU742#51-A	Toilet Mounting Hardware
15	TSU08W.10	Unifit Rough-in 10"
	TSU08W.12	Unifit Rough-in 12"
	TSU08W.14	Unifit Rough-in 14"

**Note:**

**Product Number Explanations**

Two-Piece Toilet	Tank	Bowl
(CST) Gravity Type Toilet	(ST) Tank	(CT) Skirted Bowl
(MS) Toilet & Seat combo	(446) Tank Model	(446) Bowl Model
(MW) Toilet & Washlet combo	(E) 1.28 gpf / 4.8 Lpf	(C) DYNAMAX
(446) Toilet model	(M) Dual Flush	TORNADO FLUSH®
(C) DYNAMAX TORNADO	(A) Auto Flush	(G) CEFIONTECT®
FLUSH®	compatible	(T40) WASHLET®+
(E) 1.28 gpf / 4.8 Lpf		
(M) Dual Flush		
(G) CEFIONTECT®		

Actual Product may vary slightly from illustration.