

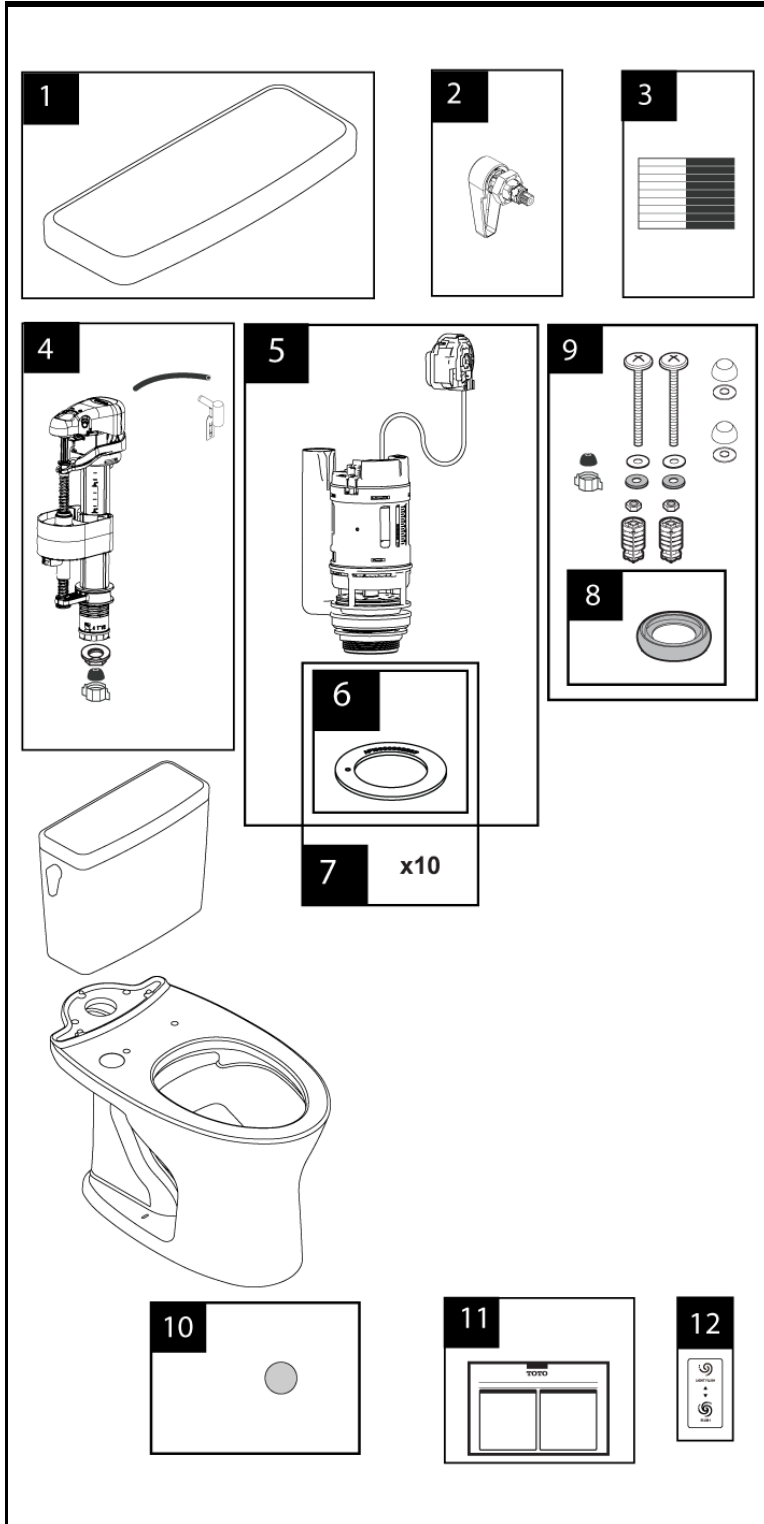
# CST746CUM(G), MS746124CUM(G), MW7463046CUMG(A) & MW7463056CUMG(A)

|            |                  |              |
|------------|------------------|--------------|
| CST746CUMG | MW7463046CUMG(A) | MS746124CUMG |
| CT746CUG   | CT746CUGT40      | CT746CUGT40  |
| ST746UMA   | ST746UMA         | ST746UMA     |
| <br>       |                  |              |
| CST746CUM  | MW7463056CUMG(A) | ST746UMR     |
| CT746CU    | CT746CUGT40      |              |
| ST746UMA   | ST746UMA         |              |

**Drake®**

## 1.0 & 0.8 Gpf Toilet, Elongated DYNAMAX TORNADO FLUSH®

(including CEFIONTECT®, Right Hand Trip Lever)



| Item | Part        | Description   |
|------|-------------|---|
| 1    | TCU746CR#01 | Tank Lid w/ Velcro Tape - Cotton                        |
|      | TCU746CR#03 | Tank Lid w/ Velcro Tape - Bone                          |
|      | TCU746CR#11 | Tank Lid w/ Velcro Tape - Colonial White                |
|      | TCU746CR#12 | Tank Lid w/ Velcro Tape - Sedona Beige                  |
|      | TCU746CR#51 | Tank Lid w/ Velcro Tape - Ebony                         |
| 2    | THU773#CP-A | Trip Lever Handle - Chrome Plated                       |
|      | THU773#PN-A | Trip Lever Handle - Polished Nickel                     |
|      | THU773#BN-A | Trip Lever Handle - Brushed Nickel                      |
|      | THU773#01-A | Trip Lever Handle - Cotton                              |
|      | THU774#CP-A | Trip Lever Right Handle - Chrome Plated                 |
|      | THU774#PN-A | Trip Lever Right Handle - Polished Nickel               |
|      | THU774#BN-A | Trip Lever Right Handle - Brushed Nickel                |
|      | THU774#01-A | Trip Lever Right Handle - Cotton                        |
| 3    | THU107      | Velcro Tape   |
| 4    | TUS99A.X    | Fill Valve Assembly                                     |
| 5    | THU836-A    | Flush Valve Assembly, 1.0 & 0.8 GPF                     |
|      | THU791-A    | Flush Valve Assembly, 1.0 & 0.8 GPF for Right Hand Tank |
| 6    | 9BU112E-A   | Flush Tower Seal Gasket - 1 pc                          |
| 7    | THU744      | Flush Tower Seal Gasket - 10 pcs                        |
| 8    | 9BU109E-A   | Tank to Bowl Gasket                                     |
| 9    | THU778#01-A | Tank to Bowl Mounting Hardware - Cotton White           |
|      | THU778#03-A | Tank to Bowl Mounting Hardware - Bone                   |
|      | THU778#11-A | Tank to Bowl Mounting Hardware - Colonial White         |
|      | THU778#12-A | Tank to Bowl Mounting Hardware - Sedona Beige           |
|      | THU778#51-A | Tank to Bowl Mounting Hardware - Ebony                  |
| 10   | 0EU147#01-A | Conceal Sticker - Cotton White                          |
|      | 0EU147#03-A | Conceal Sticker - Bone                                  |
|      | 0EU147#11-A | Conceal Sticker - Colonial White                        |
|      | 0EU147#12-A | Conceal Sticker - Sedona Beige                          |
|      | 0EU147#51-A | Conceal Sticker - Ebony                                 |
| 11   | 0GU193      | Installation Instruction                                |
| 12   | 0EU148      | Dual Flush Sticker                                      |
|      | 0EU148-1    | Dual Flush Sticker - Ebony Tank                         |

**Note:**

### Product Number Explanations

| Two-Piece Toilet             | Tank                | Bowl            |
|------------------------------|---------------------|-----------------|
| (CST) Gravity Type Toilet    | (ST) Tank           | (CT) Bowl       |
| (MS) Toilet & Seat Combo     | (746) Model         | (746) Model     |
| (MW) Toilet & WASHLET® Combo | (U) 1.0 & 0.8 GPF   | (C) DYNAMAX     |
| (746) Model                  | (M) DUAL-MAX®       | TORNADO FLUSH®  |
| (C) DYNAMAX TORNADO          | (A) Autoflush       | (G) CEFIONTECT® |
| FLUSH®                       | Compatible          | (T40) WASHLET®+ |
| (U) 1.0 & 0.8 GPF            | (R) Right Hand Trip |                 |
| (M) DUAL-MAX®                | Lever               |                 |
| (G) CEFIONTECT®              |                     |                 |

Actual Product may vary slightly from illustration.