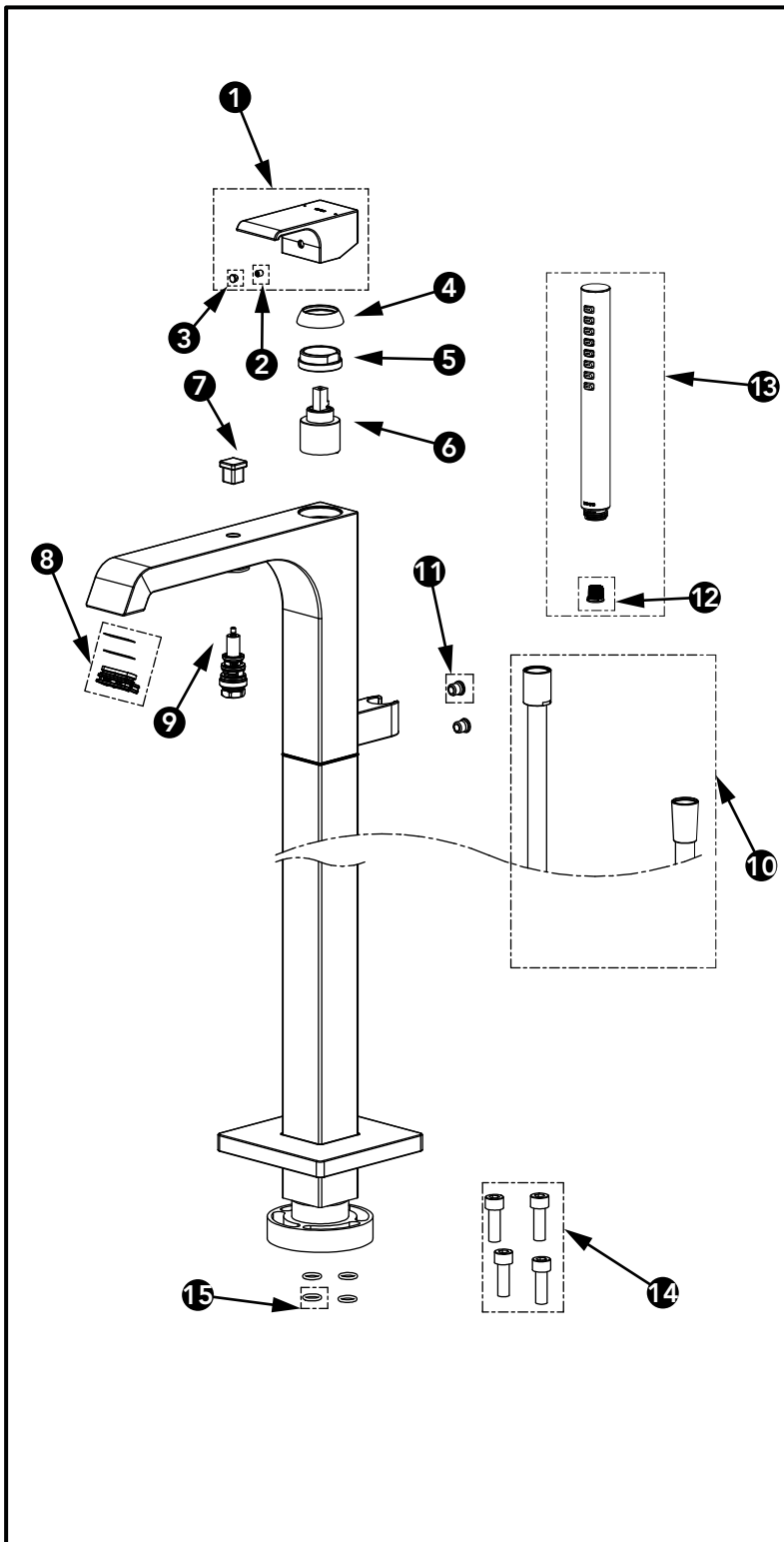


GC Freestanding Tub Filler



Item	Part	Description
1	THP5513#\$\$	Handle Assembly
2	THP5110	Set Screw
3	THP5296	Plug
4	THP5111#\$\$	Escutcheon
5	THP5210	Nut
6	THP5156	Cartridge
7	THP5512#\$\$	Diverter Knob
8	THP5514	Aerator
9	THP5317#CP	Diverter
	THP5317#BN	Diverter
10	THP5318#\$\$	Shower Hose
11	THP5319	Cap
12	THP5291	Filter Screen
13	TBW02016U4#\$\$	Hand shower
14	THP5322	Hex Screw (4pcs)
15	THP5321	O-Ring (1pc)

* Please specify finish when ordering

LEGEND
\$ = Denotes Finish
#CP = Polished Chrome
#BN = Brushed Nickel
#PN = Polished Nickel