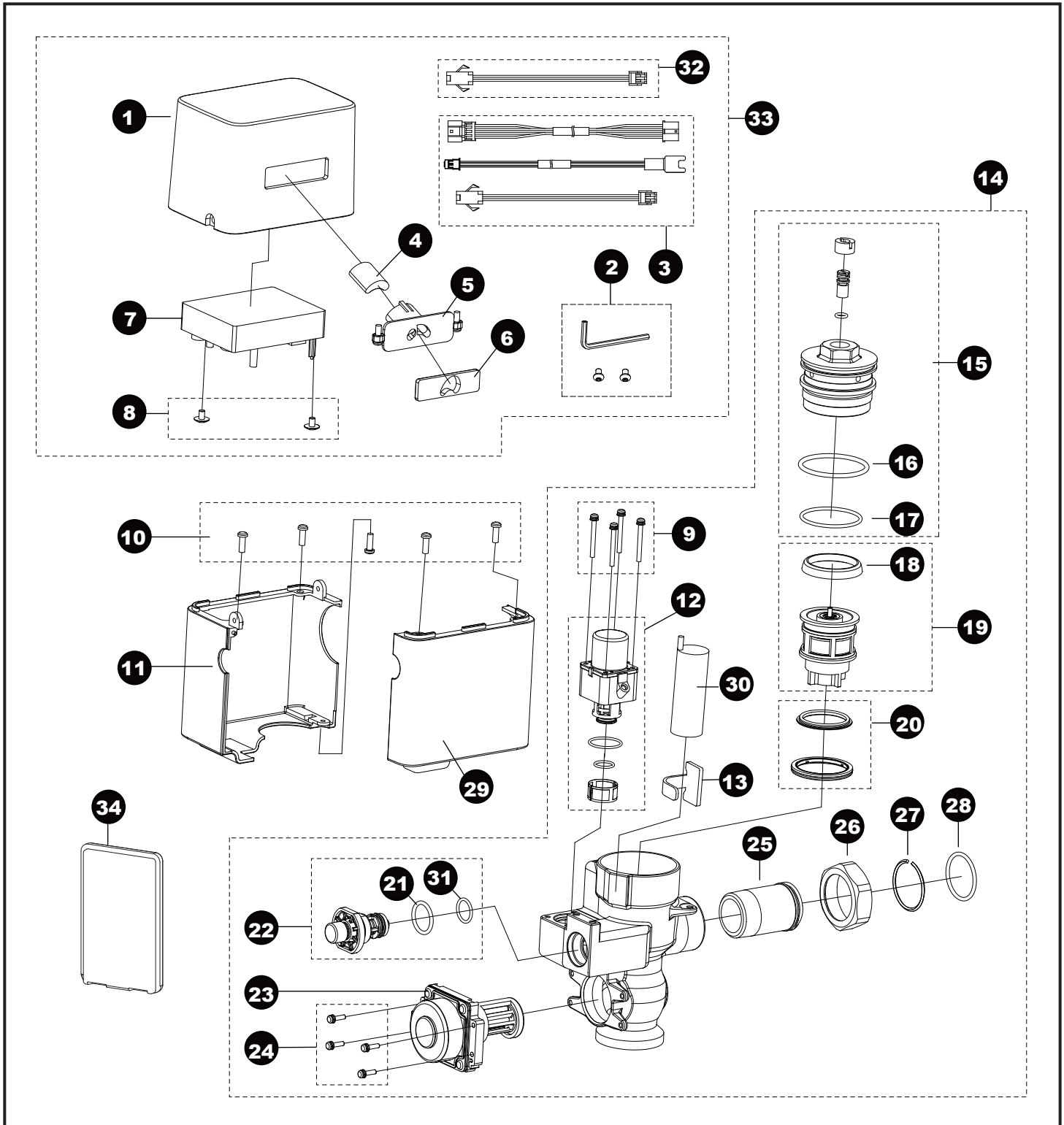


TEU1LAR(X)(iA)(i2)(i4)#CP  
 TEU1LA(X)(iA)(i2)(i4)12#CP  
 TEU1LA(iA)(i2)(i4)22#CP

**ECOPOWER® Flush Valve,  
 Urinal, Exposed, 0.5 Gpf**



TEU1LAR(X)(iA)(i2)(i4)#CP  
 TEU1LA(X)(iA)(i2)(i4)12#CP  
 TEU1LA(iA)(i2)(i4)22#CP

**ECOPOWER® Flush Valve,  
 Urinal, Exposed, 0.5 Gpf**

<b>Item</b>	<b>Part</b>	<b>Description</b>
1	THP3201#CP	Cover, top
	THP3356	Cover, top for IoT Flush Valve
2	THP3232	Screw w/wrench set, exposed
3	THP3209	Extension harness (3 type/bag)
4	THP3187	Sensor unit
5	THP3205	Bracket, sensor w/screw (15d)
6	THP3207	Glass, sensor window, exposed
7	THP3198	Controller unit for 0.5gpf
	THP3358	Controller unit for 0.5gpf IoT Flush Valve
8	THP3208	Screw, controller mount (2/bag)
9	THP3192	Screw (4/bag)
10	THP3204	Screw, cover, valve (5/bag)
11	THP3203#CP	Cover, lower, B
12	THP3190R	Solenoid unit & diaphragm assy
13	TH559EDV517	Clamp set (10/bag)
14	THP3224	Valve assy, exposed, urinal
	THP3224X	Valve assy, exposed, urinal for Reclaimed Water
15	THP3188	Valve cap assembly
	THP3188X	Valve cap assembly for Reclaimed Water
16	THP3189	O-ring, valve cap top (10/bag)
17	TH305SV112	O-ring, valve cap bottom(10/bag)
18	TH305SV103	U-packing, piston (10/bag)
19	TH323V104R	Piston assembly
20	TH321	Seat set, piston bottom
21	THP3013	O-ring, screen nut (10/bag)
22	TH559EDV506	Push button assembly
23	THP3234	ECOPOWER generator unit, urinal
24	TH559EDV505	Screw, ECOPOWER generator
25	TH305SV114	Tailpiece
26	TH305SV113	Nut, tailpiece/angle stop
27	TH305SV105	Locking ring set, tailpiece (10/bag)
28	TH305SV106	O-ring, tailpiece (10/bag)
29	THP3202#CP	Cover, lower, A
30	THP3053	Back-up battery
31	THP3242	O-ring (1/bag)
32	THP3361	IoT wire harness, short
33	THP3367#CP	IoT top unit
34		IoT communication card, please contact TOTO sales representative or technical support for more information.

**Vacuum Breaker Sets**

- VB0912R#CP Top Spud, 3/4" Outlet, Exposed
- VB0922R#CP Top Spud, 1-1/4" Outlet, Exposed
- VB0912XR#CP Top Spud, 3/4" Outlet, Exposed for Reclaimed Water

Note: For additional information, refer to the individual vacuum breaker parts sheets.