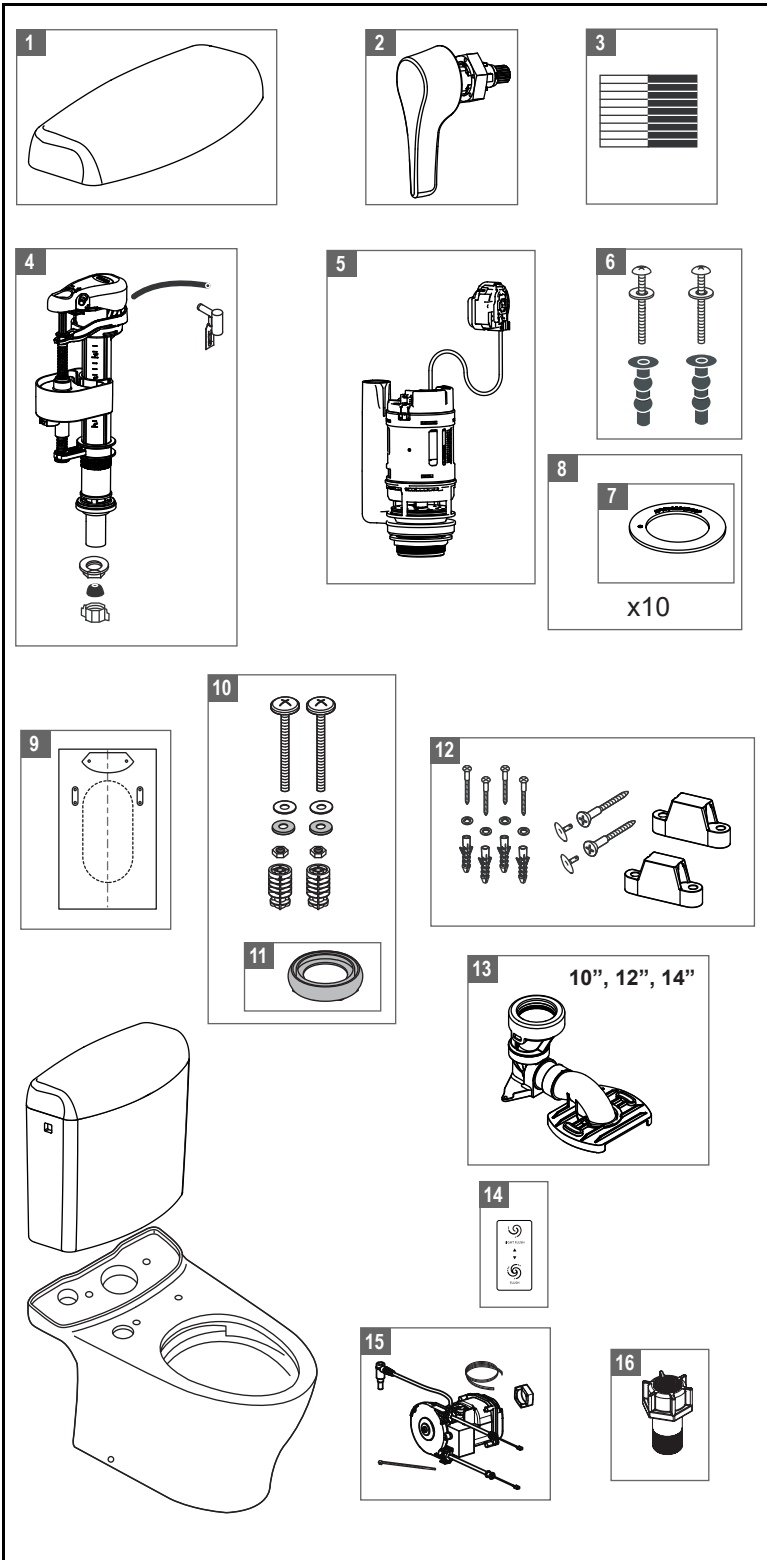


CT446CEFGNT40

1.28 & 0.9 gpf Toilet, Elongated Bowl, Universal Height, DYNAMAX TORNADO FLUSH®, CEFIONTECT®, Unifit Rough-in, Auto Flush & Right Hand Trip Lever



Item	Part Number	Description
1	TCU436CRE#01	Tank Lid - Cotton
2	THU806#CP-A	Trip Lever - Chrome Plated
	THU806#MBL-A	Trip Lever - Matte Black
	THU816#CP-A	Right Hand Trip Lever - Chrome Plated
3	THU107	Velcro Tape
4	TSU803.13-A	Fill Valve
5	THU837-A	Flush Valve
	THU838-A	Flush Valve for ST436EMNR
6	THU651N	Top Mounting Seat Hardware
7	9BU112E-A	Flush Valve Seal Gasket (1 piece)
8	THU744	Seal Gasket for Flush Valve (10 pieces)
9	0GU181-1-A	12" Unifit Rough-in Installation Template
	0GU182-1-A	10" & 14" Unifit Rough-in Installation Template
10	THU741-A	Tank to Bowl Mounting Hardware
11	9BU109E-A	Tank to Bowl Gasket
12	THU742#01-A	Toilet Mounting Hardware
13	TSU48.10	Unifit - 10" Rough-in
	TSU48.12	Unifit - 12" Rough-in
	TSU48.14	Unifit - 14" Rough-in
14	0EU148-A	Dual Flush Sticker (Top of Lid)
15	THU880	Motor Unit for Autoflush Dual Flush
16	9AU321-A	Fill Valve Extension Adapter

Actual Product may vary slightly from illustration.

**Note:**