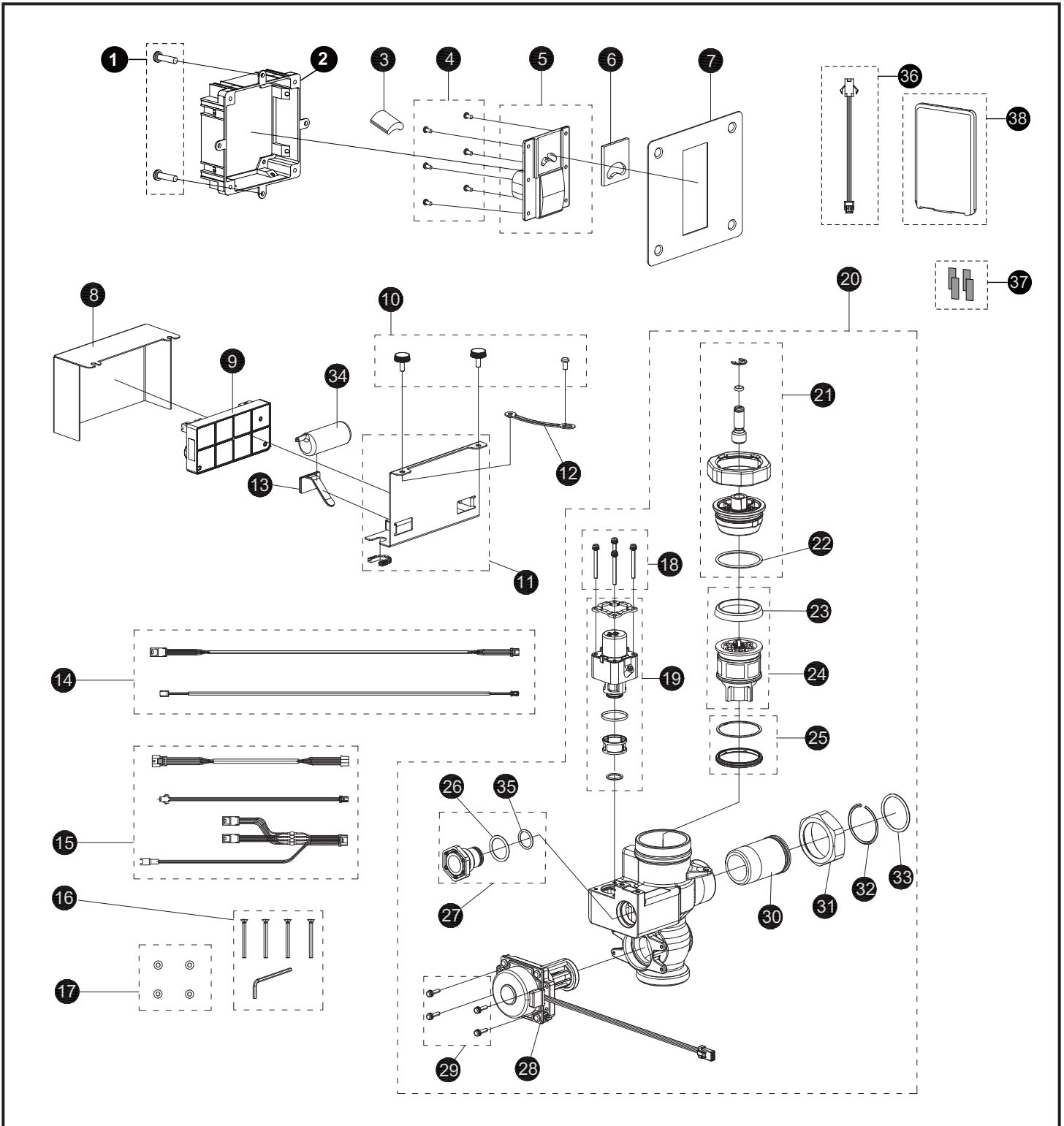


TET3GB(iA)(i2)(i4)#SS  
 TET3GB(iA)(i2)(i4)31#SS  
 TET3GB(iA)(i2)(i4)32#SS  
 TET3GB(iA)(i2)(i4)33#SS

**ECOPOWER® Flush Valve,  
 Toilet, Concealed Small, 1.6 Gpf**



**ECOPOWER® Flush Valve,  
Toilet, Concealed Small, 1.6 Gpf**

TET3GB(iA)(i2)(i4)#SS  
TET3GB(iA)(i2)(i4)31#SS  
TET3GB(iA)(i2)(i4)32#SS  
TET3GB(iA)(i2)(i4)33#SS

<b>Item</b>	<b>Part</b>	<b>Description</b>
1	THP3222	Screw, wooden screw (10/bag)
2	THP3210	Wall frame assembly, small cover
3	THP3523	Sensor unit
4	THP3215	Screw, touch button (6/bag)
5	THP3214	Touch-button assembly
6	THP3213	Glass, sensor window, concealed
7	THP3212	Cover plate, small
8	THP3537	Cover, controller box, concealed
9	THP3526	Controller unit 1.6gpf
	THP3554	Controller unit 1.6gpf for IoT Flush Valve
10	THP3538	Screw, cover, controller box (3/bag)
11	THP3539	Housing, controller, concealed
12	THP3540	Mount stay, controller box
13	TH559EDV517	Clamp set (10/bag)
14	THP3541	Harness, concealed (2 type/bag)
15	THP3522	Extension harness (3 type/bag)
16	THP3233	Screw w/wrench set
17	THP3219	Washer, plastic (4/bag)
18	THP3192	Screw (4/bag)
19	THP3190R	Solenoid unit & diaphragm assy
20	THP3544	Valve assembly, concealed, toilet 1.6gpf
21	THP3532	Valve cap assembly
22	THP3533	O-ring, valve cap top
23	TH305SV103	U-packing, piston (10/bag)
24	TH323V104R	Piston assembly
25	THP3534	Seat packing set
26	THP3013	O-ring, cap (10/bag)
27	THP3220	Plug
28	TH559EDV503	ECOPOWER generator, toilet
29	TH559EDV505	Screw, ECOPOWER generator
30	TH305SV114	Tailpiece
31	TH305SV113	Nut, tailpiece/angle stop
32	TH305SV105	Locking ring set, tailpiece (10/bag)
33	TH305SV106	O-ring, tailpiece/angle stop
34	THP3053	Back-up battery
35	THP3242	O-ring (1/bag)
36	THP3515	IoT wire harness
37	THP3503	Velcro tape (2 pairs/bag)
38		IoT communication card, please contact TOTO sales representative or technical support for more information.

**Vacuum Breaker Sets**

- VB1331R#RB Back Spud, 1-1/2" Outlet, Concealed
- VB0932R#RB Top Spud, 1-1/2" Outlet, Concealed
- VB1333R#RB Back Spud, 1-1/2" Outlet, Floor Mount

Note: for additional information, refer to the individual vacuum breaker parts sheets.