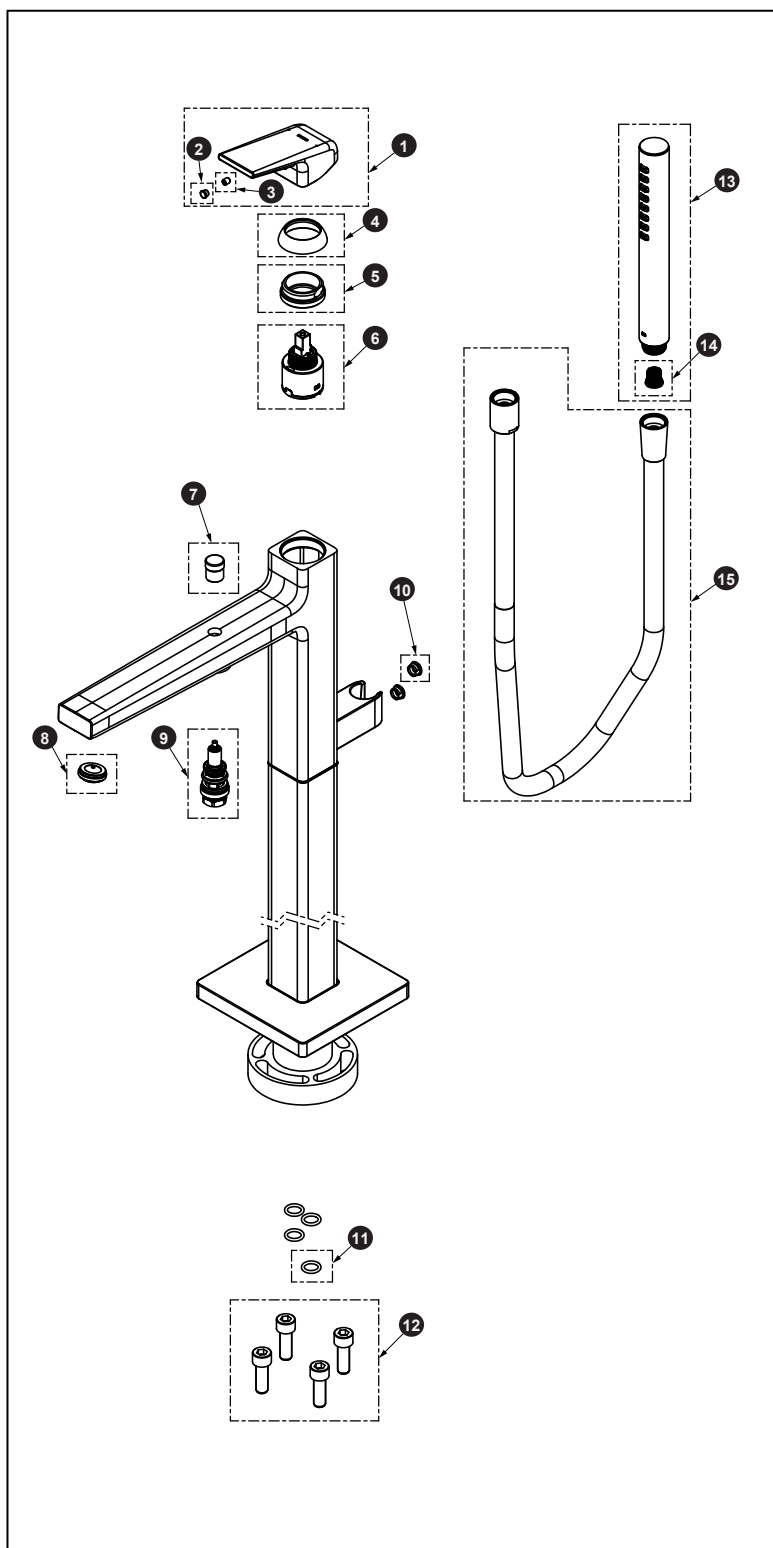


**GB Freestanding Tub Filler**



Item	Part	Description
1	THP5494#\$\$	Handle Assembly
2	THP5296	Plug
3	THP5110	Set Screw
4	THP5111#\$\$	Escutcheon
5	THP5210	Nut
6	THP5650	Cartridge
7	THP5320#\$\$	Diverter Knob
8	THP5214	Aerator
9	THP5317#CP	Diverter
	THP5317#BN	Diverter
10	THP5319	Cap
11	THP5321	O-Ring (1 pc)
12	THP5322	Hex Screw (4 pcs)
13	TBW02016U4#\$\$	Hand Shower
14	THP5291	Filter Screen
15	THP5318#\$\$	Shower Hose

\* Please specify finish when ordering

LEGEND
\$ = Denotes Finish
#CP = Polished Chrome
#BN = Brushed Nickel
#PN = Polished Nickel
#PBR = Polished Bronze
#PFG = Polished French Gold
#MBL =