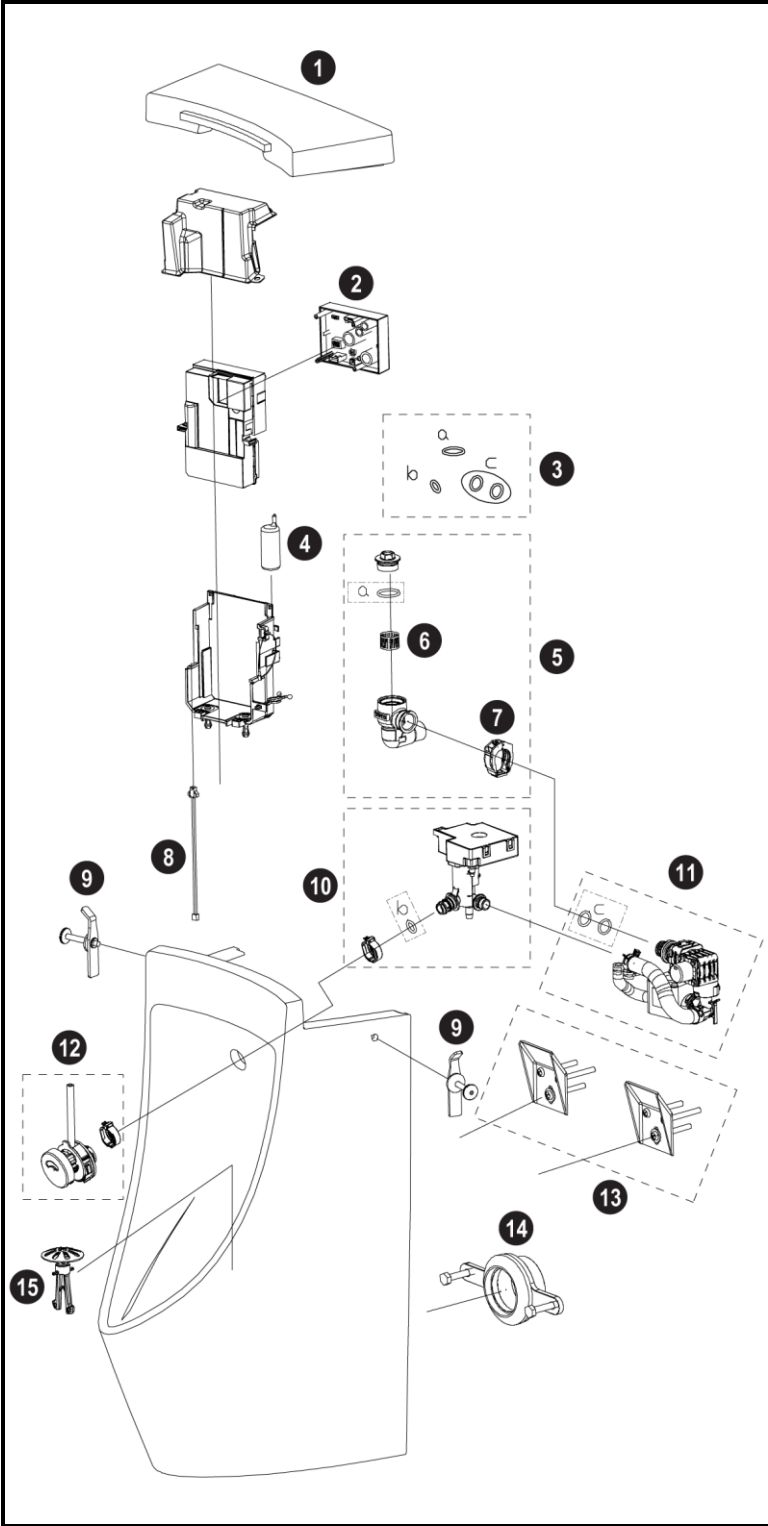


Commercial Washout Urinal
0.125 Gpf / 0.473 Lpf
1/2" Supply Connection
2" IPS Outlet Flange



Item	Part	Description
1	TCU906CR#01	Urinal Lid
2	THU868	Controller
3	THU877	O-Ring Set
4	THP3053	Battery
5	THU872	Elbow Shutoff valve w/ quick fastener
6	THU879	Filter for Flush Valve
7	THU873	Quick Fastener
8	THU869	Relay Harness
9	THU876	Lid Fixing Unit (2 sets)
10	THU871-A	Vacuum Breaker & One-Touch Ring
11	THU874	Eco Flush Valve
12	THU867-A	Spreader
13	THU875-A	Hanger Set
14	THU079	Drain Flange Unit
15	THU3045R-A	Strainer

Note:

Product Number Explanations

Urinal
 (UE) Urinal
 (906) Model

Actual Product may vary slightly from illustration.