

## Kiwami® Renesse® Single (TSKA) & Dual (TSKD) Volume Control Valve

### FEATURES

#### TSKA

- Corrosion resistant
- Single volume control valve for handshower trim set and for use without wall spout

#### TSKD

- Corrosion resistant
- Dual volume control valve for use with wall spout

### CODES/STANDARDS

- Meets or exceeds ASME A112.18.1/CSA B125.1
- Certifications: IAPMO(cUPC), State of Massachusetts, City of Los Angeles, and others
- Code Compliance: UPC, IPC, NSPC, NPC Canada, and others
- Complies with CA Prop 65 warning requirements



### PRODUCT SPECIFICATION

Single volume control valve shall be TOTO Model TSKA and without wall spout.

Dual volume control valve shall be TOTO Model TSKD and with wall spout.



TSKA - Kiwami® Renesse® Single Volume Control Valve



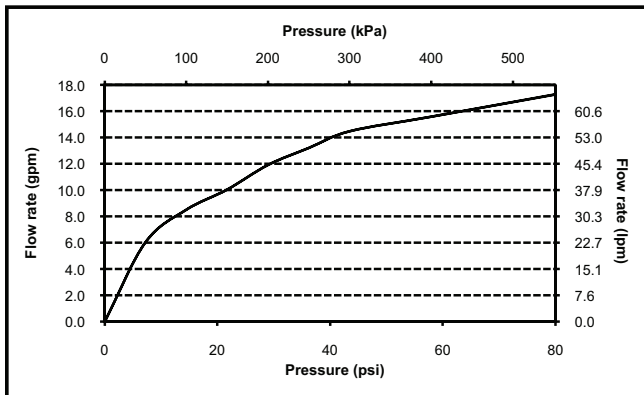
TSKD - Kiwami Renesse Dual Volume Control Valve

# TSKA & TSKD

## Kiwami® Renesse® Single (TSKA) & Dual (TSKD) Volume Control Valve

### SPECIFICATIONS

- Warranty: Lifetime Limited Warranty (Residential Use)  
One Year (Commercial Use)
- Material: Brass
- Shipping Weight: 3.73 lbs.
- Shipping Dimensions: 10-1/2" L x 7" W x 4-3/4" H

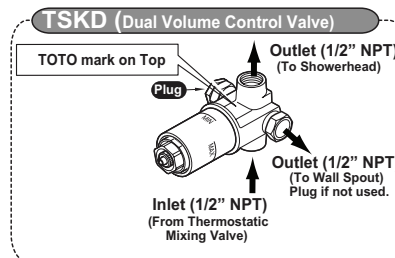
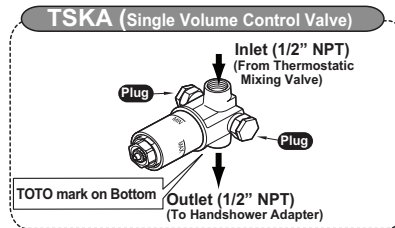
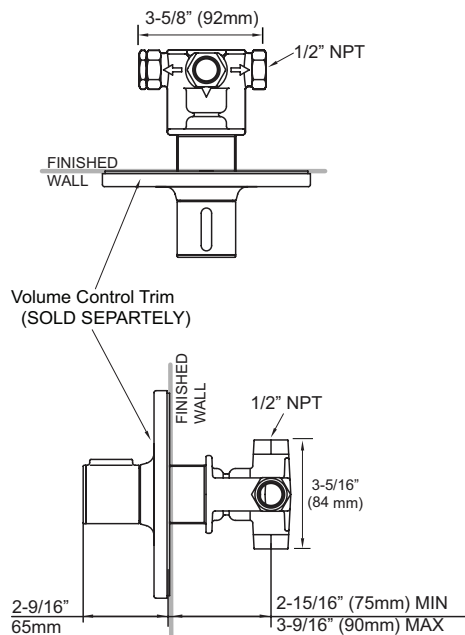


### INSTALLATION NOTES

#### VALVES REQUIRED:

TSKA Single Volume Control Valve requires Kiwami® Renesse® shower trim, model TS170C#CP or TS170C1#CP, sold separately.

TSKD Dual Volume Control Valve requires Kiwami Renesse shower trim, model TS170D#CP, sold separately.



**SOLD SEPARATELY**  
 Single Volume Control Trim for Showerhead (TS170C#CP)  
 Single Volume Control Trim for Handshower (TS170C1#CP)  
 Dual Volume Control Trim for Showerhead (TS170D#CP)