

Soirée® Push Button Valve Trim

FEATURES

- For use with the TS6P push button valve
- Push button technology

COLORS/FINISHES

- #CP Polished Chrome

CODES/STANDARDS

- Meets or exceeds ASME A112.18.1/CSA B125.1
- Certifications: IAPMO(cUPC), State of Massachusetts, City of Los Angeles, and others
- Code Compliance: UPC, IPC, NSPC, NPC Canada, and others
- ADA compliant
- Complies with CA Prop 65 warning requirements



PRODUCT SPECIFICATION

On/Off push trim shall include front seal plate assembly. Shower trim control shall operate with simple push button operation. Trim shall be TOTO Model TS960C3____. and required valve shall be TS6P.

TS960C3

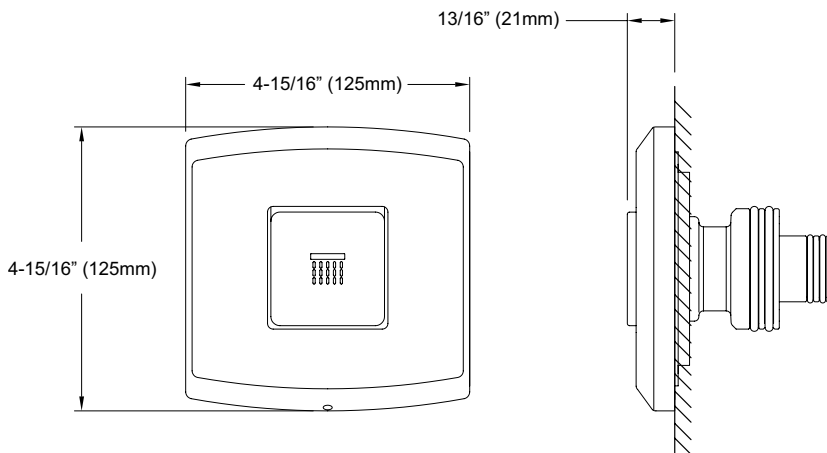
Soirée® Push Button Valve Trim

SPECIFICATIONS

- Warranty Lifetime Limited Warranty (Residential Use)
One Year (Commercial Use)
- Material Brass
- Shipping Weight 3.2 lbs.
- Shipping Dimensions 7"L x 6-1/4"W x 5"H

INSTALLATION NOTES

VALVE REQUIRED:
Push button valve, model TS6P sold separately.



TOTO®

These dimensions and specifications are subject to change without notice