

## Clayton® Self-Rimming Lavatory

### FEATURES

---

- 25" x 18-1/4"
- Rear overflow
- Vitreous china
- ADA compliant
- Complete with installation template

### MODELS

---

- LT781  
Lavatory with single hole faucet center
- LT781.4  
Lavatory with 4" faucet centers
- LT781.8  
Lavatory with 8" faucet centers



### COLORS/FINISHES

---

- #01 Cotton
- #03 Bone
- #11 Colonial White
- #12 Sedona Beige
- #51 Ebony

### CODES/STANDARDS

---

- Meets and exceeds ASME A112.19.2/CSA B45.1
- Certifications: IAPMO(cUPC), State of Massachusetts, City of Los Angeles, and others
- ADA compliant
- Code compliance: UPC, IPC, NSPC, NPC Canada, and others



### PRODUCT SPECIFICATION

---

The self-rimming lavatory shall be made of vitreous china. Lavatory shall be 25" in length and 18-1/4" in width. Product shall be with overflow and lavatory shall include mounting assembly and be ADA compliant. Lavatory shall be TOTO Model LT781\_\_\_\_\_.

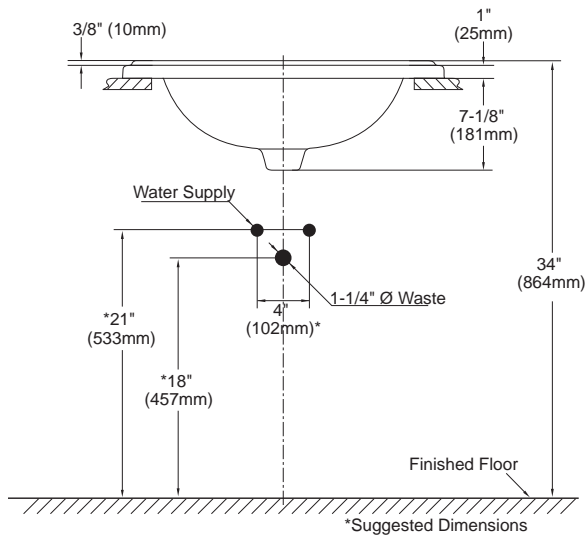
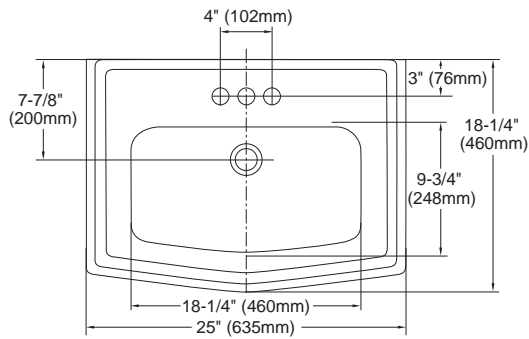
# LT781

## Clayton® Self-Rimming Lavatory

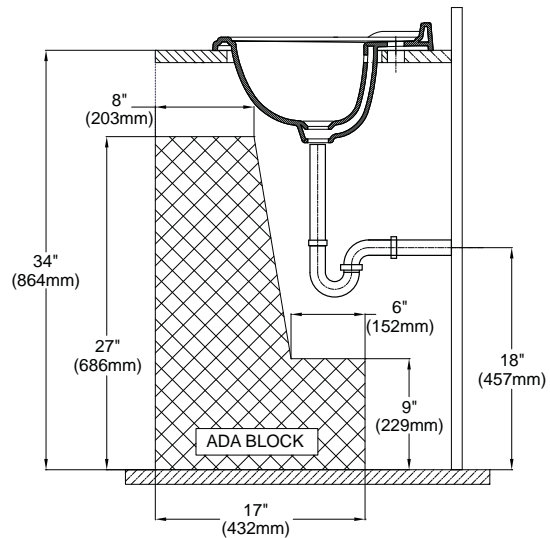
### SPECIFICATIONS

- Waste 1-1/4" O.D.
- Size 25" W x 18-1/4" D
- Basin 18-1/4"W x 9-3/4" D
- Warranty One Year Limited Warranty
- Material Vitreous china
- Shipping Weight 27 lbs.
- Shipping Dimensions 25-1/2"W x 19"D x 9-1/2"H

### INSTALLATION NOTES



### ADA Compliance Check



**TOTO®**

*These dimensions and specifications are subject to change without notice*