

Lloyd® High-Efficiency Showerhead, 1.75 gpm

FEATURES

- Rubber nozzles to prevent limescale build up
- Showerarm included
- Water saving 1.75 gpm

COLORS/FINISHES

- #CP Polished Chrome
- #BN Brushed Nickel



CODES/STANDARDS

- Meets or exceeds ASME A112.18.1/CSA B125.1
- Certifications: IAPMO(cUPC), State of Massachusetts, City of Los Angeles, and others
- Code Compliance: UPC, IPC, NSPC, NPC Canada, and others
- Complies with CA Prop 65 warning requirements



PRODUCT SPECIFICATION

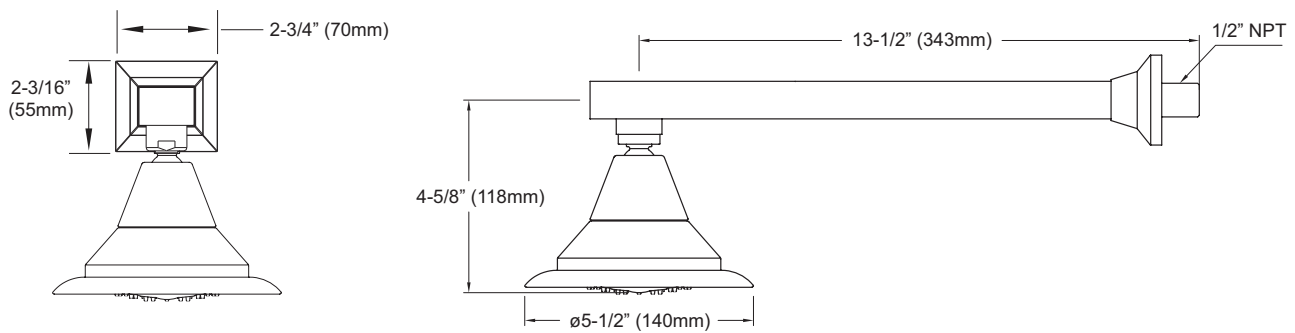
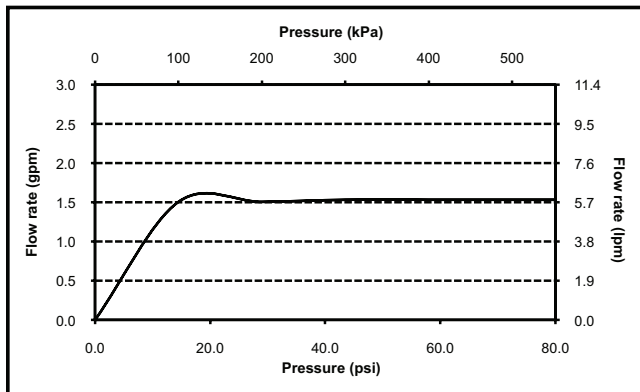
The showerhead with arm shall feature single spray with full coverage. Showerhead shall have rubber nozzles to prevent limescale build up. Showerhead shall have a flow rate of 1.75 gallons per minute. Showerhead shall be TOTO Model TS930AL_____.

TS930AL

Lloyd® High-Efficiency Showerhead, 1.75 gpm

SPECIFICATIONS

- Warranty Lifetime Limited Warranty (Residential Use)
One Year (Commercial Use)
- Material Brass
- Shipping Weight 4.7 lbs.
- Shipping Dimensions 17"L x 10"W x 5"H
- Maximum Flow Rate 1.75 gpm (6.6 lpm)



TOTO®

These dimensions and specifications are subject to change without notice