

## Single-Handle Freestanding Tub Filler

### FEATURES

- Solid brass construction
- Ceramic disk valve cartridge
- Handshower with 60" metal hose included
- Floor-mount tub filler
- Handshower shall have a maximum flow rate of 2.5 GPM (9.5 LPM)

### COLORS/FINISHES

- #CP Polished Chrome
- #BN Brushed Nickel
- #PN Polished Nickel

### CODES/STANDARDS

- Meets or exceeds ASME A112.18.1/CSA B125.1
- Certifications: IAPMO(cUPC), State of Massachusetts, and others
- Code Compliance: UPC, IPC, NSPC, NPC Canada, and others



### PRODUCT SPECIFICATION

Tub filler shall have a solid brass construction. Product shall have a ceramic disk valve cartridge. Product shall be floor mounted. Product shall include a handshower with 60" metal hose. Product shall be TOTO Model TB100SF#\_\_\_\_\_.

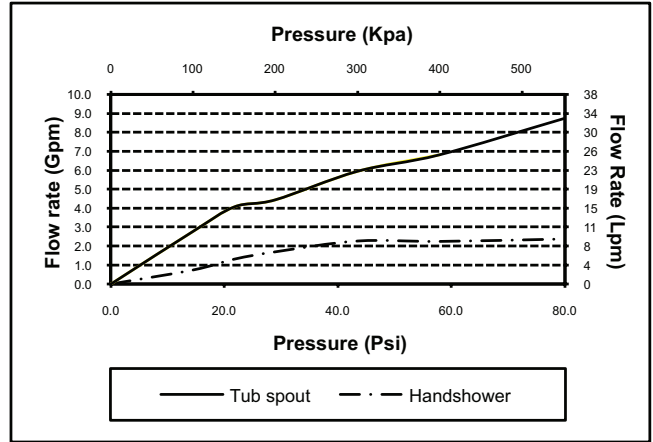


# TB100SF

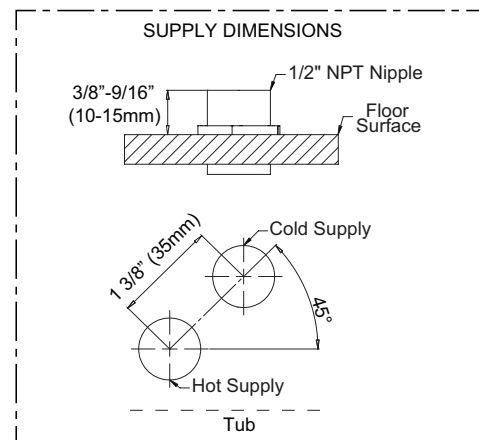
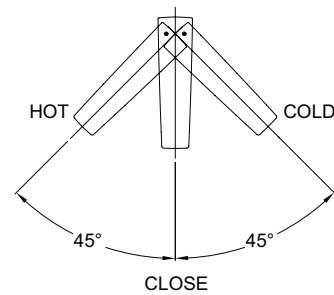
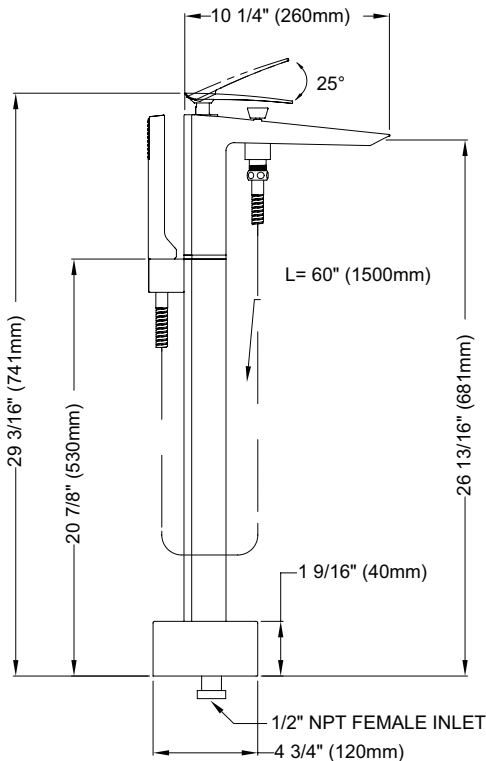
## Single-Handle Freestanding Tub Filler

### SPECIFICATIONS

- Warranty: Lifetime Limited Warranty (Residential Use)  
One Year (Commercial Use)
- Material: Brass
- Shipping Weight: 24.7 lbs.
- Shipping Dimensions: 31-1/2" L x 16" W x 8" H



### DIMENSIONS



**TOTO**

These dimensions and specifications are subject to change without notice