

## Upton™ One-Way Volume Control Trim

### FEATURES

---

- For use with One-Way Volume Control Valve (TS2A)

### COLORS/FINISHES

---

- #CP Polished Chrome
- #BN Brushed Nickel
- #PN Polished Nickel

### CODES/STANDARDS

---

- Meets or exceeds ASME A112.18.1/CSA B125.1
- Certifications: IAPMO(cUPC), State of Massachusetts and others
- Code Compliance: UPC, IPC, NSPC, NPC Canada, and others
- Complies with CA Prop 65 warning requirements



### PRODUCT SPECIFICATION

---

Volume control trim shall be TOTO Model TS630C2#\_\_\_\_ and required one-way volume control valve shall be TS2A.

# TS630C2

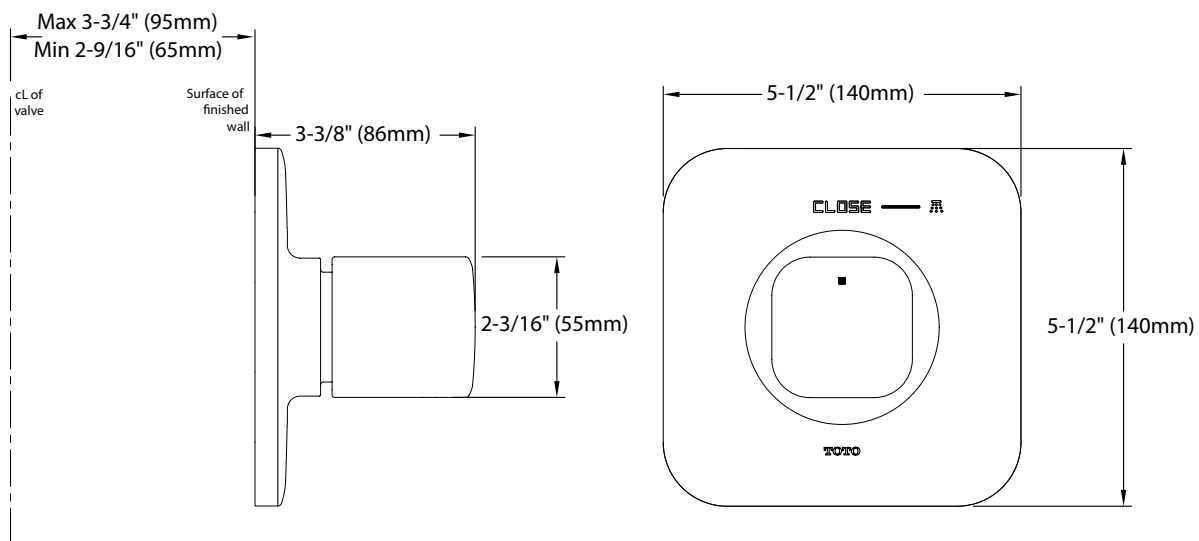
## Upton™ One-Way Volume Control Trim

### SPECIFICATIONS

- Warranty Lifetime Limited Warranty (Residential Use)  
One Year (Commercial Use)
- Material Brass
- Shipping Weight 4.4 lbs.
- Shipping Dimensions 11"L x 12-3/8"W x 3-5/8"H

### INSTALLATION NOTES

**VALVE REQUIRED:**  
One-Way volume control valve, model TS2A sold separately.



**TOTO®**

*These dimensions and specifications are subject to change without notice*