

### FEATURES

---

- Extra thick cast acrylic construction
- HydroHands™ massaging air jets
- 1hp blower
- 300W heated air injection system
- 2 cascading shoulder warmers
- Cascading spout
- 9.1gal/min. max filling
- Hand held shower
- 2 underwater lighting modules
- LED lights
- Air Bath mainbody with pillows
- Push button controller stand with audio guide
- 151 gallon capacity

### COLORS/FINISHES

---

- Shell Color  
#01 Cotton
- Trim  
#CP Polished Chrome
- Push button with audio guide trim  
#CP Polished Chrome

### PARTS

---

- Neorest Air Bath mainbody with pillows (70-7/8" x 55-1/8" x 30-1/8")
- Function module (16-5/8" x 7-1/8" x 18-3/4").  
120 VAC, 60Hz, 14.3 A rated.  
Hot and Cold water inlet and  
Fill Air Bath outlet are NPT 3/4
- Controller stand (9-5/8" x 4-1/2" x 10")
- 15 m Connecting Cables



### CODES/STANDARDS

---

- Meets and exceeds ASME A112.19.7M, CSA B45.10, UL 1795, CSA C22.2 #218.2
- Certifications: IAPMO(cUSPC), Intertek/ETL, State of Massachusetts, City of Los Angeles and others
- Code Compliance: USPC, IPC, NSPC, NPC Canada, and others



### PRODUCT SPECIFICATION

---

The Neorest® Air Bath shall have an extra thick cast acrylic construction, 15 individual air jets, 1hp blower, and a 300W heated air injection system. The Air Bath shall have 2 cascading shoulder warmers, a cascading faucet and a 9.1gal/min. max filling. The Air Bath shall also include a hand held shower, 2 underwater lighting modules and two LED lights. The Air Bath shall provide a push button controller stand with audio guide, a mainbody with pillows and a 151 gallon capacity. Air Bath shall be **TOTO Model ABA991X**\_\_ \_\_.

# ABA991X#01FCP

Neorest® Air Bath™ SE

## SPECIFICATIONS

- Size 70-7/8" L x 55-1/8" W x 30-1/8" H
- Warranty Three Year Limited Warranty
- Material Acrylic tub, brass faucets
- Shipping Weight 883 lbs.
- Shipping Dimensions 59-1/4" L x 96" W x 40-1/2" H

## INSTALLATION NOTES

Refer to the Installation Manual for instructions.

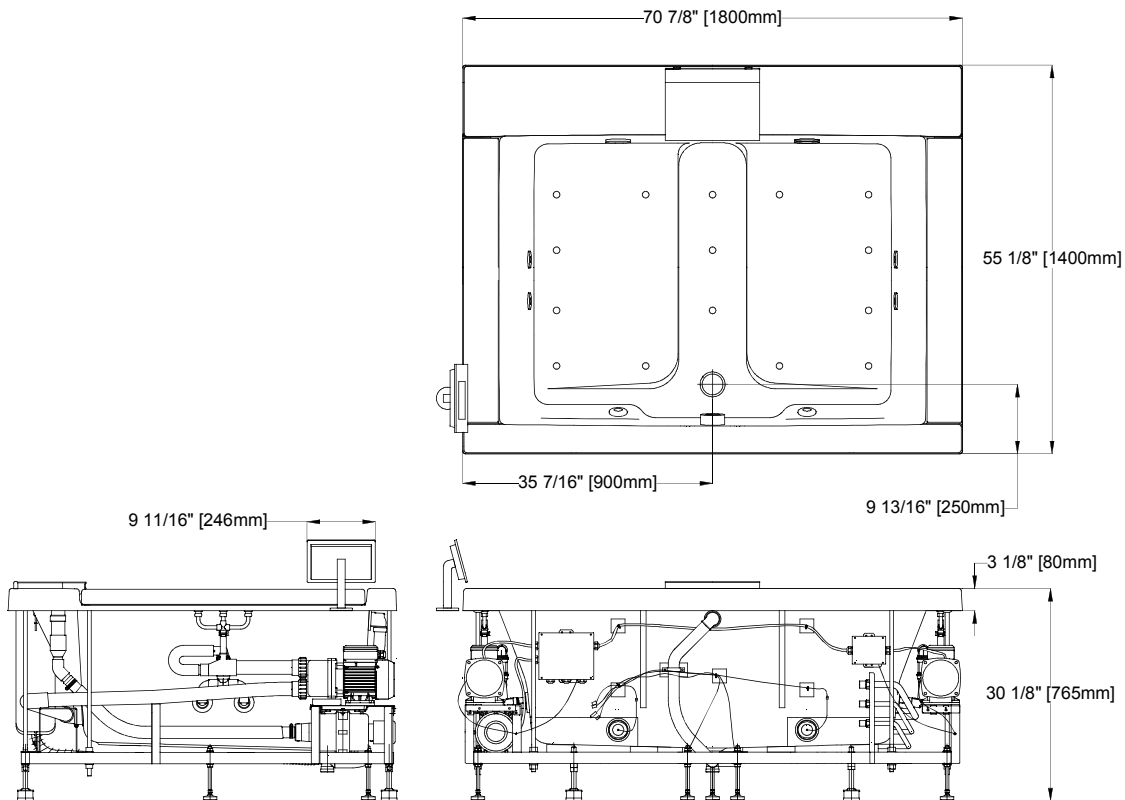
Supply Equipment Specifications:

- Supply pressure 29-108.75psi (0.20-0.75 MPa)
- Supply temperature 140°-158°F (60°-70°C)
- Hot water usage:
  - Max. temperature 113°F (45°C)
  - Max. flow rate 9.2 gal/min (35L/min)
  - Max. capacity 151 gal (570L)
- Hot/Cold water inlet and Fill Air Bath outlet are NPT 3/4.

A tankless water heater is recommended. Hot water supply should be 75% of capacity or greater. Actual hot water needed will depend upon total system needs.

Floor support under bath must provide a minimum of 85 lbs/ square foot (415 kg/square meter) loading.

Check local codes for requirements on installing an ASSE 1070/ASME A112. 1070/CSA B125.70 compliant device in series with the tub faucet.



**TOTO®**

*These dimensions and specifications are subject to change without notice*