

MH™ Wall-Hung Toilet, 1.28GPF & 0.9GPF

FEATURES

MH Bowl

- 3D Tornado Flush™ system, high efficiency (1.28GPF/0.9GPF)
- CeFiONtect™ ceramic glaze - prevents debris, mold from sticking to ceramic surfaces
- Universal Height
- D-shape front bowl

SoftClose® Seat

- D-shape closed front toilet seat and cover with SoftClose hinge system
- Mounting hardware included
- Made from urea-resin
- Quick release hinges for easier cleaning

DuoFit® In-Wall Tank

- Dual-Max® flushing system, high-efficiency (1.28GPF/4.8LPF & 0.9GPF/3.4LPF) Avg. flush 1.03GPF
- Adjustable 15"-19" mounting height
- Saves up to 9" of floor space compared to standard floor-mounted toilet
- Supports up to 880lbs
- Commercial 2" x 6" or optional residential installation with 2" x 4" wall studs with waste outlet kit
- Supply line

KIT COMPONENTS

- CT437FG#01
MH Wall-Hung Toilet
- WT153M#01
In-Wall Tank System (Pex Pipe)
- WT154M#01
In-Wall Tank System (Copper Pipe)
- SS117#01
SoftClose® Seat
- YT800#WH
White Plastic Push Plate

Available Options

- YT820#CP
Polished Chrome Push Plate
- YT820#SS
Brushed Stainless Steel Push Plate
- YT830#WH
Glass/White Push Plate

COLORS/FINISHES

- Standard
#01 Cotton



3D Tornado Flush



D+ Dual-Max



CeFiONtect



SD Skirted Design

CODES/STANDARDS

- Meets and exceeds:
 - Bowl: ASME A112.19.2/CSA B45.1, ASME A112.19.14
 - Carrier System: ASME A112.6.2
 - Tank Trim: IAPMO PS50, CSA B125.3, ASSE1002
- Certifications: IAPMO (cUPC), EPA WaterSense State of Massachusetts, City of Los Angeles and others
- Legislative compliance: California AB715, California Green Building Code, City of Los Angeles Water Efficiency Ordinance
- Code Compliance: UPC, IPC, NSPC, NPC Canada, and others
- Complies with CA Prop 65 warning requirements



CWT437117MFG

MH Wall-Hung Toilet, 1.28GPF & 0.9GPF

PRODUCT SPECIFICATIONS

	CT437FG	SS117	WT153M/WT154M
Water Use	1.28GPF & 0.9GPF (4.8LPF & 3.4LPF)		1.28GPF & 0.9GPF (4.8LPF & 3.4LPF)
Flush System	Dual-Max®		Dual-Max®
Min. Water Pressure	8 psi (static)		8 psi (static)
Water Surface	5-1/2" X 4-1/8"		
Trap Diameter	2-1/8"		
Installation Height	15" to 19"		15" to 19"
Trap Seal	2-1/8"		
Warranty	One Year Limited Warranty	One Year Limited Warranty	One Year Limited Warranty
Material	Vitreous China	Urea	Various
Shipping Weight	68 lbs	9 lbs	38 lbs
Shipping Dimensions	22" L x 14.6" W x 16.5" H	20-5/8" x 19-1/8" x 3-1/4"	48" L x 26-1/2" W x 6" H

CT437FG

This universal height, high efficiency 3D Tornado flushing system toilet shall be 1.28GPF & 0.9GPF. Toilet shall have CeFiONtect ceramic glaze. Toilet shall be mounted to in-wall tank system, D-shape front bowl and wall-mounted push-button type trip lever. Toilet shall be TOTO Model CT437FG#01.

SS117

Seat shall be made from urea-resin for both the seat and seat cover. The seat installation is top mount installation with adjustable hinge plates and stainless steel hinge caps.

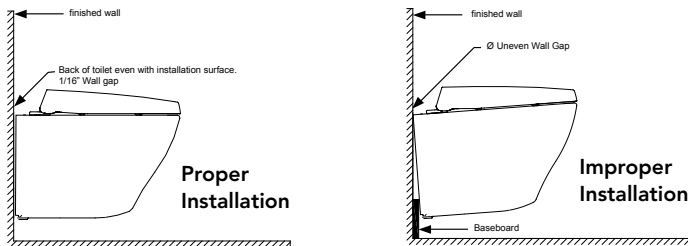
WT153M/WT154M

This universal height, high-efficiency, dual flushing, in-wall tank system toilet shall be 1.28GPF & 0.9GPF. Requires TOTO toilet model CT437FG. In-Wall tank system shall be TOTO Model WT154M.

INSTALLATION NOTES

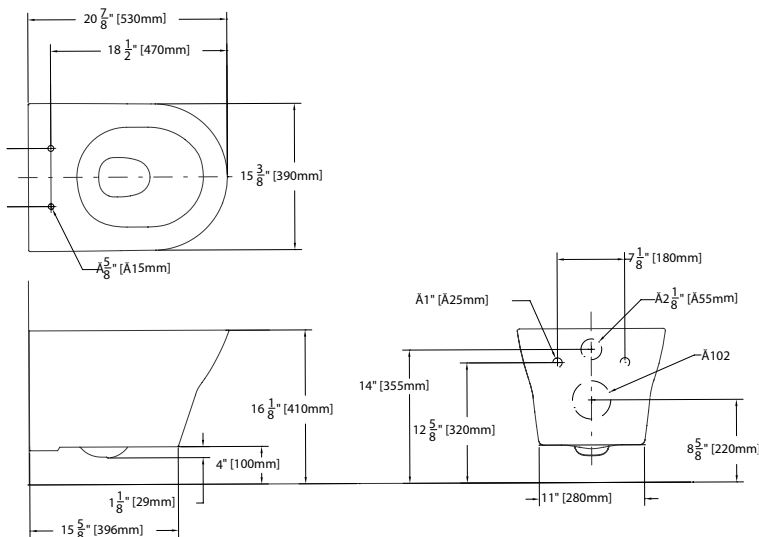
WT153M/WT154M

- Adequate structural bracing is required

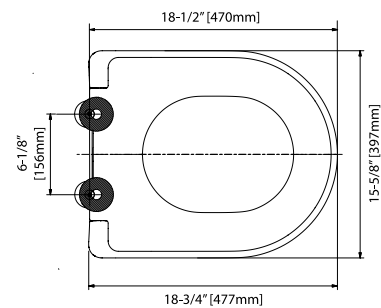


PRODUCT DIMENSIONS

CT437FG



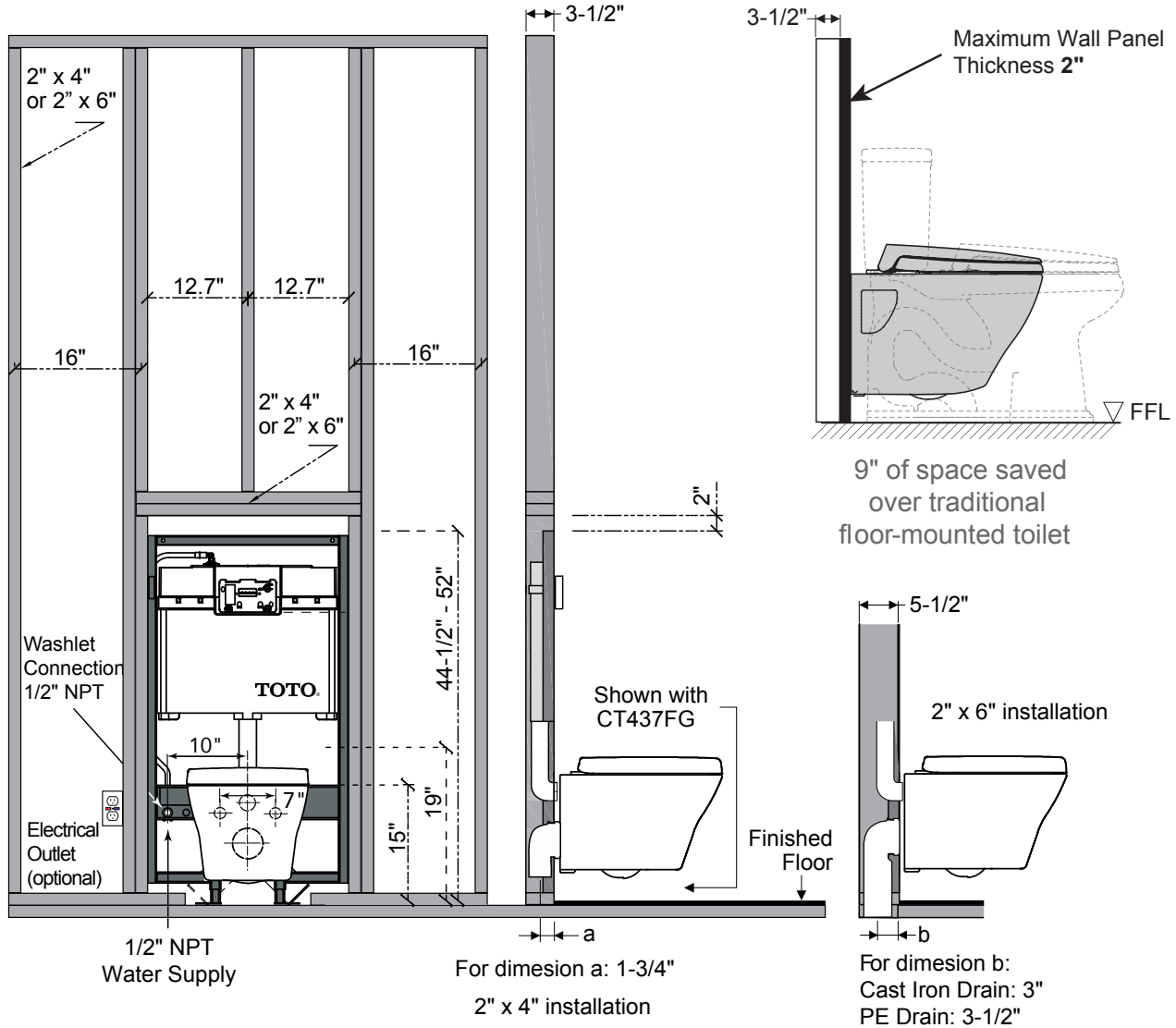
SS117



CWT437117MFG

MH Wall-Hung Toilet, 1.28GPF & 0.9GPF

WT153M/WT154M



TOTO

These dimensions and specifications are subject to change without notice