

## Aquia® IV 1G® WASHLET®+ S550e Close Coupled Toilet - 1.0 & 0.8 GPF

### FEATURES

- Concealed supply connection for seamless installation
- DYNAMAX TORNADO FLUSH® utilizes 360° cleaning power to reach every part of the bowl
- Ultra high-efficiency dual flush 1.0 & 0.8 GPF (3.8 & 3.0 LPF)
- CEFIONTECT® ceramic glaze prevents debris and mold from sticking to ceramic surfaces
- Design of the bowl reduces water flow resistance resulting in a quieter flushing sound
- Completely skirted design for a sleek and understated look that's easier to clean
- Universal height
- 12" Rough-in
- Chrome push-button
- Elongated front bowl and WASHLET+ S550e and tank set
- EWATER+® auto-cleans wand and bowl
- On-demand remote function cleans wand with EWATER+
- PREMIST of bowl before each use
- Remote control operated
- Auto Flush available as upgrade
- Auto Open / Close lid
- Night light

### MODELS & COMPONENTS

- **MW4463056CUMFGA (#01)**  
With CEFIONTECT ceramic glaze, WASHLET+ S550e with contemporary design and Auto Flush
  - **CT446CUFGT40**  
Elongated bowl with CEFIONTECT
  - **ST446UMA**  
Tank and cover only
  - **SW3056AT40**  
WASHLET+ S550e - Auto Flush compatible
  - **9AU321-A**  
WASHLET adapter
  - **THU765**  
Auto Flush Kit
- **MW4463056CUMFG#01**  
Same as MW4463056CUMFGA without Auto Flush
  - **CT446CUFGT40**  
Elongated bowl with CEFIONTECT
  - **ST446UM**  
Tank and cover only
  - **SW3056T40**  
WASHLET+ S550e - Non Auto Flush compatible
  - **9AU321-A**  
WASHLET adapter

#### Optional Components

- **TSU08W.10**  
10" Unifit Rough-In
- **TSU08W.14**  
14" Unifit Rough-In
- **THU735#01-A**  
Push Button Assembly - Cotton
- **THU735#PN-A**  
Push Button Assembly - Polished Nickel
- **THU735#BN-A**  
Push Button Assembly - Brushed Nickel



**1G** One Gallon Per Flush

**EWATER+**

**DYNAMAX TORNADO FLUSH**

**Auto Flush**

**CEFIONTECT**

**Universal Height**

### COLORS/FINISHES

- #01 Cotton

### PRODUCT SPECIFICATION

The two-piece, ultra high-efficiency, DYNAMAX TORNADO FLUSH toilet shall be dual flush 1.0 GPF/0.8 GPF. Toilet shall be coated with CEFIONTECT, elongated front bowl, high profile tank, universal height, complete skirted bowl and chrome push-button. Toilet shall be TOTO Model MW4463056CUMFG\_\_#01.

See SW3056(A)T40 Specification Sheet for details on included WASHLET.

### CODES/STANDARDS

- Meets and exceeds ASME A112.19.2/CSA B45.1, ASME A112.19.14
- Certifications: IAPMO(cUPC®), EPA WaterSense, State of Massachusetts, and others
- Code Compliance: UPC, IPC, NSPC, NPC Canada, and others
- Legislative Compliance: California Green Building Code, City of Los Angeles Water Efficiency Ordinance, and others
- Complies with CA Prop 65 warning requirements



# MW4463056CUMFG(A)

## Aquia® IV 1G® WASHLET®+ S550e Close Coupled Toilet - 1.0 & 0.8 GPF

### SPECIFICATIONS

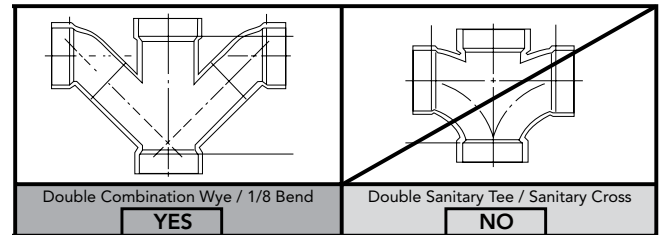
<b>Water Use</b>	1.0 & 0.8 GPF (3.8 & 3.0 LPF)
<b>Flush System</b>	DYNAMAX TORNADO FLUSH®
<b>Min. Water Pressure</b>	8 psi (Flowing)
<b>Water Surface</b>	5-5/8" x 4-1/8"
<b>Trap Diameter</b>	2-1/2"
<b>Rough-in</b>	12" (10" & 14" Optional)
<b>Trap Seal</b>	2-1/8"
<b>Warranty</b>	One Year Limited Warranty
<b>Material</b>	Vitreous China
<b>Shipping Weight</b>	CT446CUFGT40 85 lbs ST446UMA 29 lbs
<b>Shipping Dimensions</b>	CT446CUFGT40 30-3/4" L x 17-3/8" W x 20-1/2" H ST446UMA 17-1/4" L x 7-7/8" W x 17-1/2" H

See SW3056(A)T40 Specification Sheet for details on included WASHLET.

### INSTALLATION NOTES

#### Back-to-Back Toilet Installations:

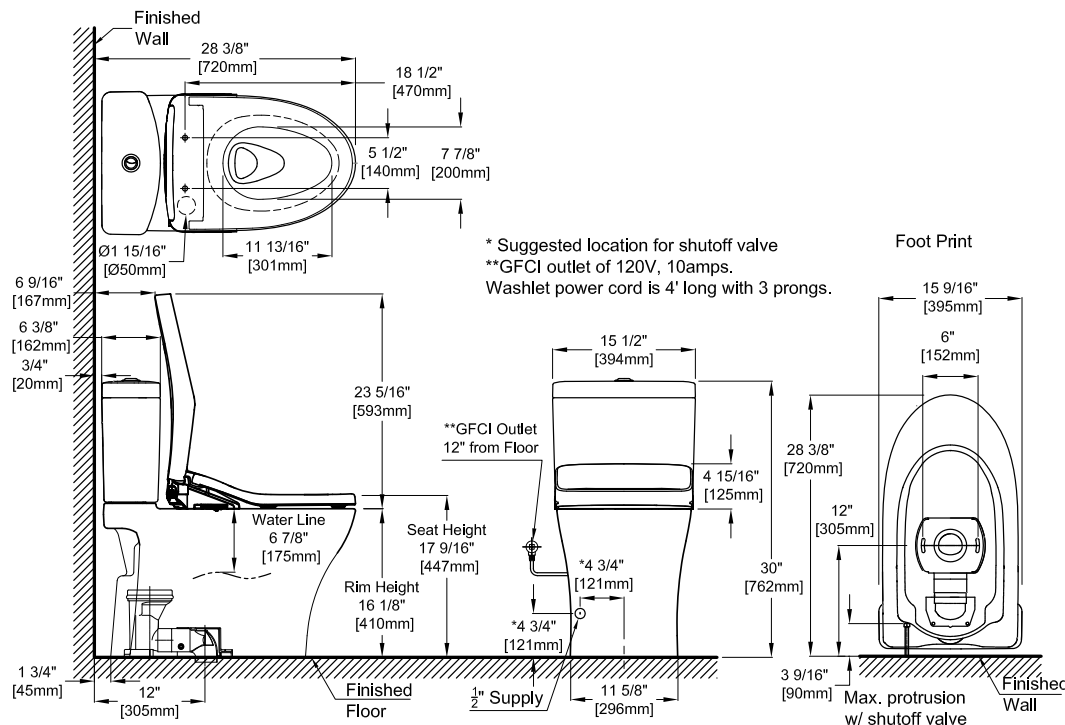
TOTO recommends the use of a nationally listed, double sanitary tee-wye only, in vertical waste stacks, in accordance with the stipulations noted in the majority of nationally recognized plumbing codes.



To maintain adequate wall gap between the back of the tank and wall, mount the floor flange at a nominal 12" rough-in distance.

Ultra-low high efficiency toilets require a system with adequate supplemental flows from other water usage fixtures and a 4" ID drainline with minimum 2% slope and maximum linear runs of 60ft.

### DIMENSIONS



**TOTO®**