

Non-Hold Open Toilet Flushometer Valve - 1.6 gpf

FEATURES

- Manual operated, non-hold open, toilet flushometer valve complete with 1" angle stop and 1-1/2" vacuum breaker set
- Piston valve action with 1.6 gpf
- Left/right rough-in

MODELS

- TMT1NNC
Valve only, Right/Left hand rough
- TMT1NNC-32 (1-1/2" Vacuum breaker)
Right/Left hand rough
Complete set supplied with:
Vacuum breaker & angle stop set - VB9CP-32
 - 1" Angle stop - 10077t3
 - 1-1/2" Vacuum breaker - 10075t1
 - Spud nut & escutcheon - 71051Nt6
 - Sweat solder kit - TH559EDVSJ3
- Optional Parts:
Z-4000-J - Adapter for ground joint angle stops
10075T1L - 24" Long 1-1/2" vacuum breaker tube



PRODUCT SPECIFICATION

TOTO® Model No. _____
Manual toilet flushometer valve, non-hold-open piston type with self-cleaning debris screen and precise flushing capability. Low consumption 1.6 gpf models available. Polished Chrome exterior, angle stop with back-check and vacuum breaker included.

COLORS/FINISHES

- #CP Polished Chrome

CODES/STANDARDS

- Meets or exceeds ASSE 1037, CSA B125.3
- Certifications: IAPMO(cUPC), ASSE, State of Massachusetts, City of Los Angeles, and others
- Code Compliance: UPC, IPC, NSPC, NPC Canada, and others
- ADA compliant



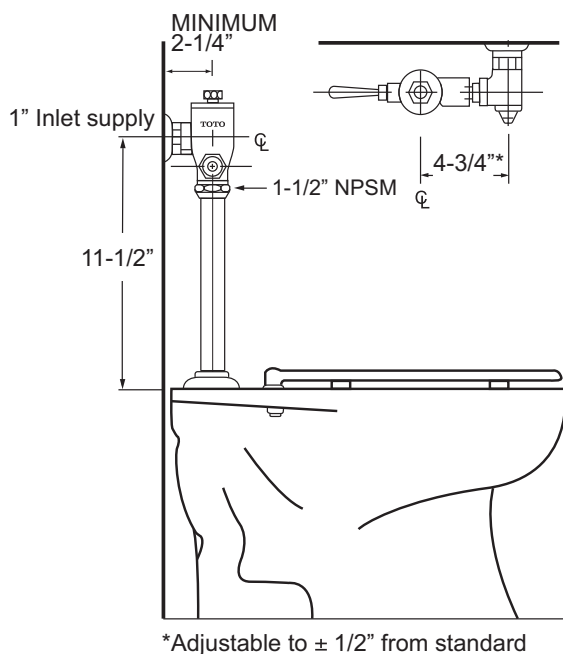
TMT1NNC Series

Non-Hold Open Toilet Flushometer Valve - 1.6 gpf

SPECIFICATIONS

- Warranty Three Year Warranty
- Material Bronze casting with polished chrome finish
- Water Supply 1" NPT
- Fixture type Flushometer valve bowl
- Supply water pressure 1.6 gpf / 6.0 lpf
- Supply water pressure 15 psi - 100 psi*

These specifications are subject to change without notice.
*Water pressures over 80 psi are not recommended for most plumbing fixtures.
Check your local plumbing code for details.



TOTO

These dimensions and specifications are subject to change without notice