

Guinevere® Thermostatic Mixing Valve with Two-Way Volume Control Trim

FEATURES

- Temperature control trim with anti-scald safety stop at 108°F
- Lever handles
- For use with the SMA thermostatic mixing valve (TSTD or TSTD R)

COLORS/FINISHES

- #CP Polished Chrome
- #RB Oil Rubbed Bronze

CODES/STANDARDS

- Meets or exceeds ASME A112.18.1/CSA B125.1, ASSE 1016
- Certifications: IAPMO(cUPC), State of Massachusetts and others
- Code Compliance: UPC, IPC, NSPC, NPC Canada, and others
- ADA compliant



PRODUCT SPECIFICATION

Thermostatic mixing valve shall include mixing handle and separate two-way volume control trim. Product shall have lever handles. Product shall have a temperature control trim with anti-scald safety stop at 108°F. Product shall be TOTO Model TS970D1#____ and required SMA thermostatic mixing valve shall be TSTD/TSTD R.

TS970D1

Guinevere® Thermostatic Mixing Valve with Two-Way Volume Control Trim

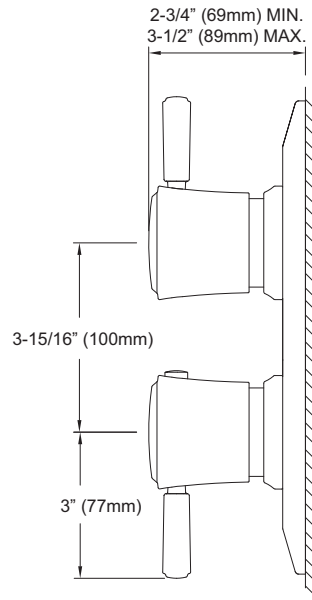
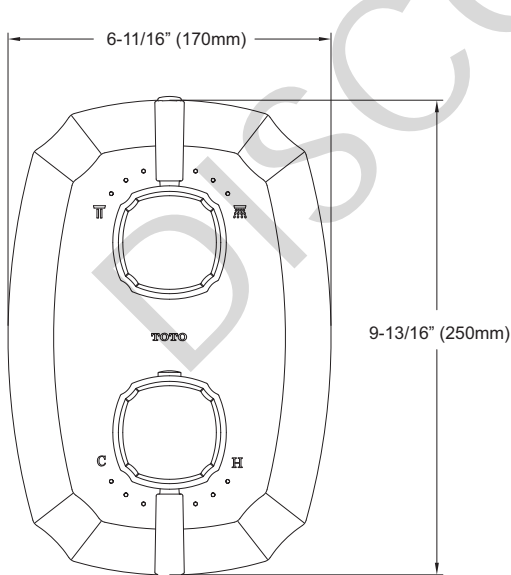
SPECIFICATIONS

- Warranty Lifetime Limited Warranty (Residential Use)
One Year (Oil Rubbed Bronze)
One Year (Commercial Use)
- Material Brass
- Shipping Weight 5.5 lbs.
- Shipping Dimensions 11-3/4" L x 10-3/4" W x 3-1/2" H

INSTALLATION NOTES

VALVE REQUIRED:

SMA thermostatic mixing valve, model TSTD or TSTD R sold separately.



TOTO®

These dimensions and specifications are subject to change without notice