

TOTO® CT708E(G) & CT708EV(G)

Wall-Mounted Flushometer Toilet, 1.28GPF when used with High Efficiency Flushometer Valve

FEATURES

- Wall-mounted outlet
- Elongated front bowl
- Optional CeFiONtect™ ceramic glaze - prevents debris, and mold from sticking to ceramic surfaces, leading to fewer chemicals and less water in cleaning.

MODELS

- CT708E
Commercial wall-mounted toilet with 1-1/2' top spud inlet, less seat
- CT708EG
Commercial wall-mounted toilet with 1-1/2' top spud inlet, less seat with CeFiONtect ceramic glaze
- CT708EV
Commercial wall-mounted toilet with 1-1/2' back spud inlet, less seat
- CT708EVG
Commercial wall-mounted toilet with 1-1/2' back spud inlet, less seat with CeFiONtect ceramic glaze

ADDITIONAL ITEMS

- SC534 seat
- SC134 seat
- THU111 Retro-fit mounting bolt cap set (4 pcs)

FLUSH VALVES			
EcoPower®		Manual	
*TET1LA32#CP	1.28GPF	TMT1LN32#CP	1.28GPF
TET1GA32#CP	1.6GPF	TMT1NNC-32	1.6GPF
*TET2LA31#SS	1.28GPF		
TET2GA31#SS	1.6GPF		
*TET3LA31#SS	1.28GPF		
TET3GA31#SS	1.6GPF		
*TET6LA32#CP	1.28GPF		
TET6GA32#CP	1.6GPF		

*WaterSense listed

COLORS/FINISHES

- #01 Cotton



PRODUCT SPECIFICATION

The wall-mounted, low consumption siphon jet flushing system toilet shall be 1.28GPF/4.8LPF when paired with a 1.28GPF flushometer valve and 1.6GPF/6.0LPF when paired with 1.6GPF/6.0LPF flushometer valve. Toilet shall have optional CeFiONtect ceramic glaze. Toilet can be mounted at ADA height. Toilet shall be elongated front bowl. Toilet shall be TOTO Model CT708E_____.

CODES/STANDARDS

- Meets and exceeds ASME A112.19.2/CSA B45.1
- Certifications: IAPMO (cUPC), State of Massachusetts, City of Los Angeles, and others
- Code compliance: UPC, IPC, NSPC, NPC Canada, and others
- ADA Compliant



To complete a WaterSense listed combination, the bowl must be paired with a flush valve which is EPA WaterSense listed.

CT708E(G) & CT708EV(G)

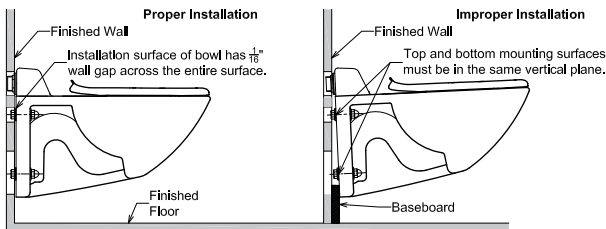
Wall-Mounted Flushometer Toilet, 1.28GPF when used with High Efficiency Flushometer Valve

SPECIFICATIONS

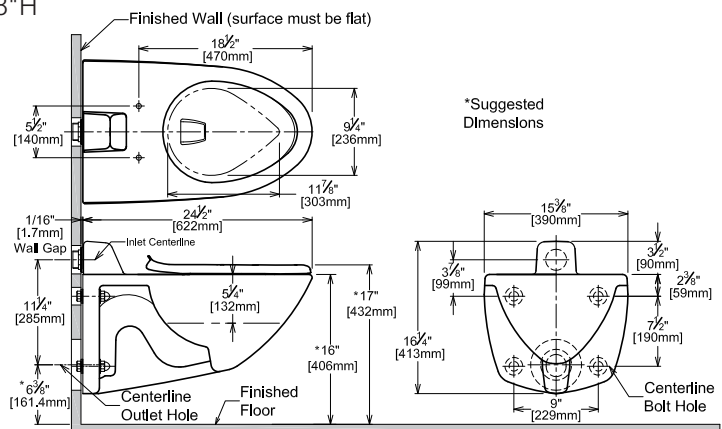
- Water Use 1.28GPF/4.8LPF (or 1.6GPF/6.0LPF when used with 1.6GPF flush valve)
- Flush System Siphon jet flushing action
- Min. Water Pressure 35 psi (flowing)
- Min. Flow Rate 23 GPM
- Water Surface 12" x 9-1/4"
- Trap Diameter 2-1/8"
- Trap Seal 2-5/8"
- Warranty One Year Limited Warranty
- Material Vitreous china
- Shipping Weight CT708E(G) - 49lbs
CT708EV(G) - 53.5lbs
- Shipping Dimensions CT708E(G)
17-1/8" L x 16" W x 26" H
CT708EV(G)
15-1/2" L x 15-1/2" W x 26-3/8" H

INSTALLATION NOTES

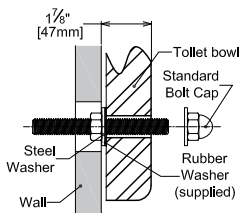
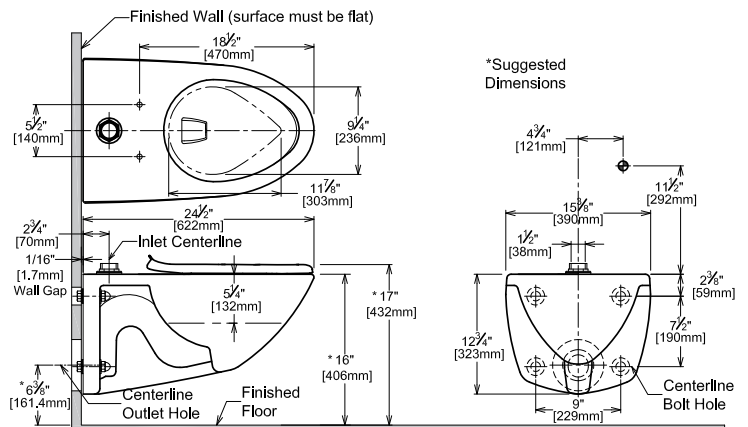
- Spuds are unique for TOTO product. For replacement spuds, contact TOTO for part number THU073R



CT708EV(G)



CT708E(G)



Note: If carrier bolt doesn't extend/or is flush with china, use retrofit bolt caps THU111 (sold separately)

