

Supreme® Self-Rimming Lavatory

FEATURES

- 20" x 17"
- CeFiONtect™ ceramic glaze - prevents debris and mold from sticking to ceramic surfaces, leading to fewer chemicals and less water in cleaning
- Front overflow
- Vitreous china
- ADA compliant
- Complete with installation template

MODELS

- LT511G
Lavatory with single hole faucet center, with CeFiONtect (#01, #03, #11, #12)
- LT511
Lavatory with single hole faucet center, without CeFiONtect (#51 only)
- LT511.4G
Lavatory with 4" faucet centers, with CeFiONtect (#01, #03, #11, #12)
- LT511.4
Lavatory with 4" faucet centers, without CeFiONtect (#51 only)
- LT511.8G
Lavatory with 8" faucet centers, with CeFiONtect (#01, #03, #11, #12)
- LT511.8
Lavatory with 8" faucet centers, without CeFiONtect (#51 only)

COLORS/FINISHES

- #01 Cotton
- #03 Bone
- #11 Colonial White
- #12 Sedona Beige
- #51 Ebony

PRODUCT SPECIFICATION

The self-rimming lavatory shall be made of vitreous china. Lavatory shall be 20" in length and 17" in width. Product shall be with overflow and lavatory shall include mounting assembly and be ADA compliant. Lavatory shall be TOTO Model LT511_____.



CODES/STANDARDS

- Meets and exceeds ASME A112.19.2/CSA B45.1
- Certifications: IAPMO(cUPC), State of Massachusetts, City of Los Angeles, and others
- ADA compliant
- Code compliance: UPC, IPC, NSPC, NPC Canada, and others



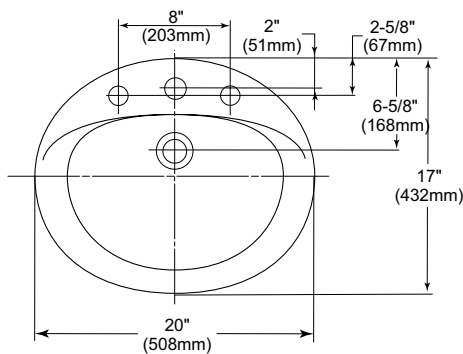
LT511

Supreme® Self-Rimming Lavatory

SPECIFICATIONS

- Waste 1-1/4" O.D.
- Size 20"W x 17"D
- Basin 15-1/4"W x 11-1/8"D
- Warranty One Year Limited Warranty
- Material Vitreous china
- Shipping Weight 20 lbs.
- Shipping Dimensions 21-5/8"W x 19-1/8"D x 10-3/8"H

INSTALLATION NOTES



ADA Compliance Check

