

Lloyd® Undercounter Lavatory

FEATURES

- 21" x 14"
- Vitreous china
- Rear overflow (chrome overflow cover standard)
- Mounting assembly complete with installation template and mounting screw set for wood countertops
- THU410 is required for marble/granite type countertop installation and must be purchased separately

MODELS

- LT931
(#01, #03, #11, #12, #51)

COLORS/FINISHES

- #01 Cotton
- #03 Bone
- #11 Colonial White
- #12 Sedona Beige
- #51 Ebony

OPTIONAL

- THU205#PN
Polished Nickel Overflow Cover
- THU205#BN
Brushed Nickel Overflow Cover

CODES/S

- Meets and exceeds ASME A112.19.2/CSA B45.1
- Certifications: IAPMO(cUPC), State of Massachusetts, City of Los Angeles, and others
- Meets ADA guidelines and ANSI A117.1 requirements when countertop is installed 864mm (34") from finished floor and lavatory is installed 205mm (8-1/8") minimum from front edge.
- Complies with CA Prop 65 warning requirements



PRODUCT SPECIFICATION

The undercounter lavatory shall be made of vitreous china. Lavatory shall be 21" in length and 14" in width. Product shall be with overflow and lavatory shall include mounting assembly. Standard chrome overflow cover available. Lavatory shall be TOTO Model LT931_____.

LT931

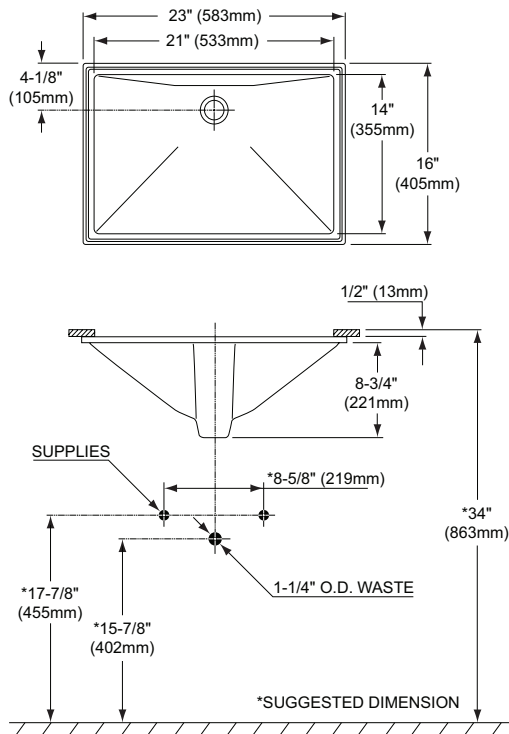
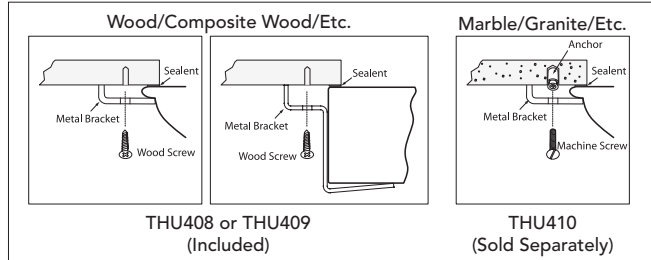
Lloyd® Undercounter Lavatory

SPECIFICATIONS

- Waste 1-1/4" O.D.
- Size 23" L x 16" W
- Basin 21" L x 14" W
- Warranty One Year Limited Warranty
- Material Vitreous china
- Shipping Weight 30 lbs.
- Shipping Dimensions 25" L x 19-1/4" W x 10-1/2" H

INSTALLATION NOTES

Mounting Hardware



ADA Installation Guide

